

ERICKSON

TIE-IT. TOW-IT. LOAD-IT.

9500 LB. WINCH

12V DC



WARNING

To avoid personal injury and/or property damage, please read and follow
ALL instructions before assembling and operating.
KEEP THIS MANUAL FOR REFERENCE

Contact Information
Marine City, Michigan 48039
Thamesville, Ontario N0P 2K0
Toll Free: 1-888-546-4668

Safety

**READ THOROUGHLY BEFORE OPERATION YOUR WINCH.
FAILURE TO FOLLOW INSTRUCTIONS COULD RESULT IN
SERIOUS HARM OR DEATH**

1. **DO NOT** exceed the rated capacity
2. **DO NOT** use for lifting or moving people or animals
3. Maintain a safe distance to the side of the cable when under tension
4. **NEVER** step **OVER** or **NEAR** a cable under load
5. The wire may break before the motor stalls. When loads are near or at rated capacity, use a pulley block/snatch block to reduce the load on the wire rope.
6. **DO NOT** operate vehicle to pull a load on the winch cable (towing). This could result in cable breakage.
7. Use specified anchor points on vehicle per manufacturer.
8. Winch is not intended to secure or hold a vehicle for extended period of time.
9. Do not use winch to secure load for transportation
10. After use disconnect remote control and battery leads
11. Do not accelerate your vehicle while winching. Loss of traction can cause a shock load on the cable.
12. Keep sparks, and flames away from batteries at all time. Do not lean over battering during operation. Wear protective eyeware.
13. Do not hoist loads or use for overhead lifting.
14. If motor stalls, do not maintain power to the winch.
ELECTRIC WINCHES ARE DESIGNED FOR INTERMITTENT USE.
15. Operate winch for short bursts. If the motor becomes uncomfortably hot to the touch, stop winching immediately. *DO NOT EXCEED PULL FOR MORE THAN 1 MIN. AT OR NEAR RATED LOAD.*
16. Never release the free-spool clutch when there is a load on the winch.
17. Use hook strap when handling the hook for spooling or unspooling the wire rope.
18. Use gloves when handling the cable. Never let the cable slide through your hands.
19. **DO NOT** wrap the cable around any object and hook back onto itself.
20. Use blocks under wheels of vehicle when on incline.

**IF YOU HAVE QUESTIONS ABOUT YOUR WINCH, OR
ABOUT WINCH SAFE USE CONTACT**

Specifications

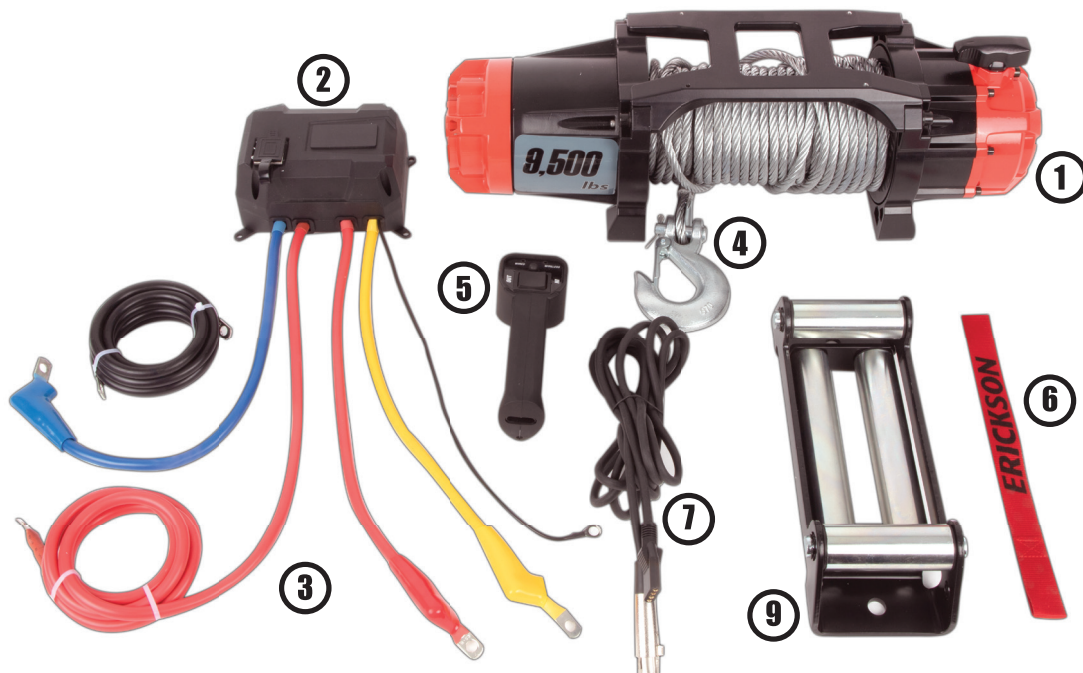
| Line Pull lbs. (kg) Charge | Line Speed FPM (m/min) Vitesse pi et m/min | Motor Amps Intensité moteur |
|-------------------------------|---|--------------------------------|
| 0 | 32 ft (9.25 m) | 80 A |
| 3000 lbs (1361 kg) | 13.5 ft (4.1 m) | 180 A |
| 6000 lbs (2722 kg) | 9.5 ft (2.9 m) | 260 A |
| 9500 lbs (4309 kg) | 6.4 ft (1.95 m) | 360 A |

| Layer Couches de Câbles | Rated Line Pull lbs (kg) Cap. nominale | Total Rope on Drum ft (m) Câble sur tambou |
|----------------------------|---|---|
| 1 | 9500 lb. (4310 kg) | 18.27 ft (5.57 m) |
| 2 | 7716 lb. (3507 kg) | 40.79 ft (12.4 m) |
| 3 | 6496 lb. (2943 kg) | 67.5 ft (20.5m) |
| 4 | 5609 lb. (2549 kg) | 85 ft (26m) |

WARNING: DO NOT OPERATE IF ANY COMPONENTS ARE MISSING OR DAMAGED. FAILURE TO COMPLY COULD RESULT IN MULFUNCTION OR PERSONAL INJURY.

Components

1. Winch / Treuil
2. Control Box/ Relais
3. Wiring/Câble
4. Hook / Crochet
5. Remote Control/ Télécommande
6. Assist strap / Sangle d'appoint
7. Remote Cable/ Cable d'alimentation
8. Fairlead / Guide-câble



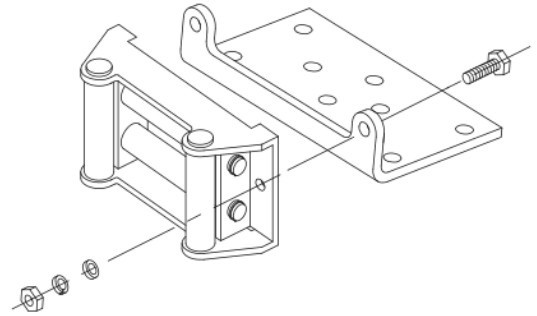
Assembly

This class of winch is designed with a standard bolt pattern to fit many mounting kits available.

Assembling the Winch

1. Insert bolts through mounting plate hole and attach the roller fairlead to the mounting plate with flat washer, lock washer, and nut.
2. Attach the winch to the mounting plate and flat surface. Secure the winch to the mounting plate with nut, flat washer, and lock washer.
3. Rotate the clutch knob to the 'OUT' position to disengage clutch. Spool out a short lead of wire rope. Feed wire rope through roller fairlead.
4. Attach the clevis hook to the cable. Attach assist strap to clevis hook.

Ensure motor, drum, and gear housing are properly aligned on mounting plate for even distribution of the rated load. Ensure the large roller is on the bottom of the fairlead.



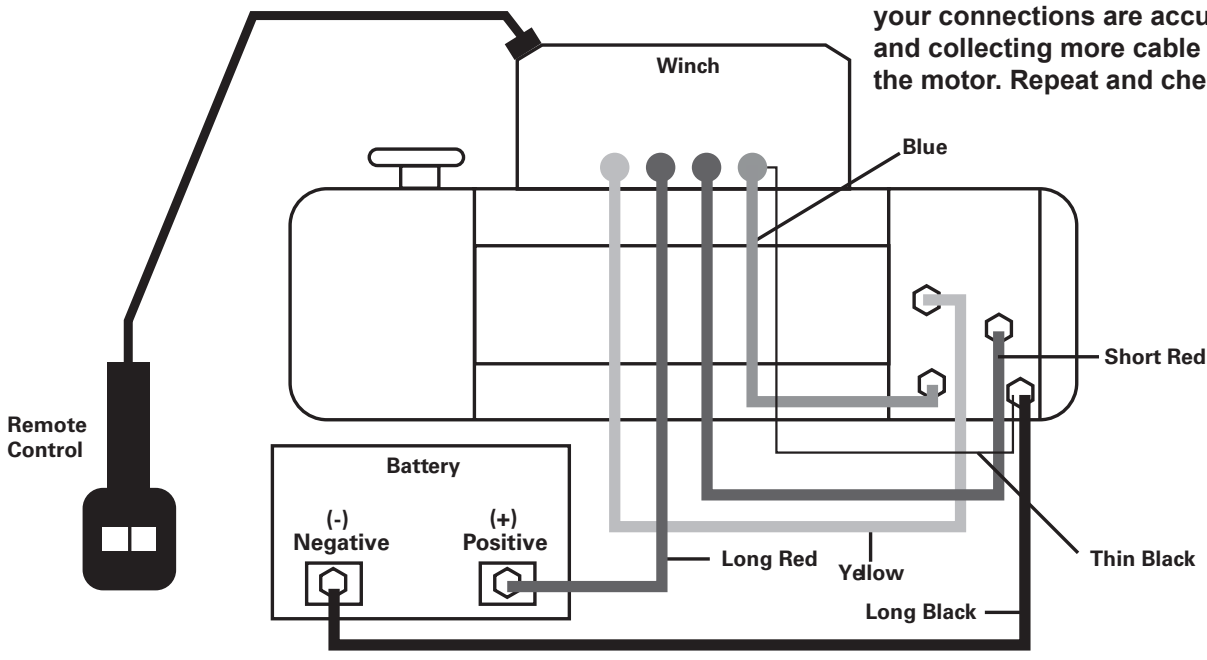
Wiring the Winch

DO NOT route cables across sharp edges, through or near moving parts, or parts that become hot.

1. Mount the winch.
2. Winch leads: Connect the thin black ground cable to the winch motor.
3. Connect the thin black, yellow, blue, and short red cable from the control box to the winch motor.
4. Connect the long black cable from the battery to the winch motor.
5. Connect the short short red cable from the control box to the winch motor.
6. Check for proper drum rotation. Pull and turn the clutch knob to the "OUT" position (free spooling). Pull out some cable from the drum, and then turn the clutch knob to the "IN" position to engage the gears. Press the cable out button on the rocker switch. If the drum is turning and releasing more cable, then your connections are accurate. If the drum is turning and collecting more cable then reverse the leads on the motor. Repeat and check rotation.

Connecting the Remote Control

1. Insert the remote control cable into the bottom of the remote controller.
2. Insert the remote control cable into the winch controller module plug.
3. Test the in and out buttons to ensure proper operation of the winch.
4. Disconnect remote after use and store in safe location.



General Tips for Safe Operation

Overloads can damage the winch, motor and/or wire rope. For loads over 50% the rated load we recommend the use of a pulley block/snatch block to double the wire rope line. This will aid in two ways:

- (a) reduce the number or rope layers on the drum
- (b) reduce the load on the wire rope by as much as 50%.

When doubling the line back to the vehicle, attach to the tow hook, frame or other load bearing part. The vehicle engine should be kept running during operation of the winch to minimize battery drain and maximize power and speed of the winch. If the winch is used for a considerable time with the engine off the battery may be drained and too weak to restart the engine.

We recommend that you set up a few test runs to familiarize yourself with rigging techniques, the sounds your winch makes under various loads, the way the cable spools on the drum, etc.

Inspect the wire rope and equipment before each use. A frayed or damaged rope **MUST** be replaced immediately. Inspect the winch installation and bolts to ensure that all bolts are tight before each operation. Store the remote control in a place that it will not be damaged.

Any winch that appears to be damaged in any way, or operates abnormally **MUST BE REMOVED FROM SERVICE UNTIL REPAIRED.**

Self Recovery

Locate a suitable anchor such as a strong tree trunk or boulder.

Always use a sling as an anchor point. (fig. 1)

The roller fairlead helps guide the wire rope to reduce binding on short side pulls. **DO NOT PULL FROM acute angle.** Wire rope that collects at one side of the drum will cause damage.

(fig. 2)

A short pull from an angle can be used to straighten a vehicle. Long pulls the rope should be at 90° to the winch.

Place a blanket/jacket over the wire rope ~6' from the hook to dampen any snapback from a broken cable. For additional protection open the hood of the vehicle. (fig. 3)

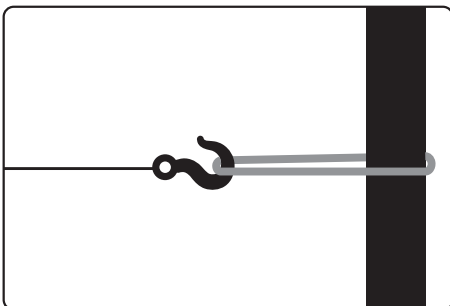


fig.1 Sling as anchor point

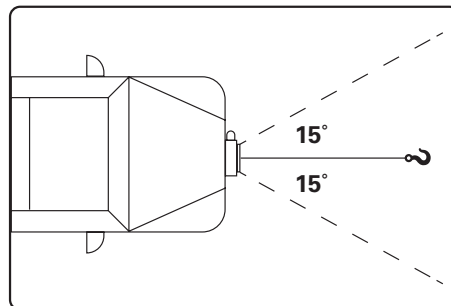


fig.2 Safe pulling angle

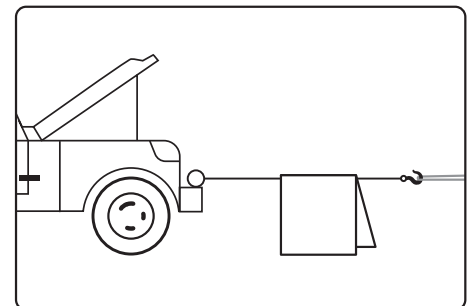


fig.3 Dampen possible snapback from broken cable

Warranty

Warranty Qualifications

Effective from the day you purchase the product. Please keep your dated purchase invoice as proof.

Repair/Replacement Warranty

Erickson Manufacturing Ltd. warrants to the original purchaser that the mechanical components will be free of defect in material and workmanship for 90 days from the original date of purchase. Transportation charges on product submitted for repair or replacement under warranty are the sole responsibility of the purchaser. This warranty only applies to the original purchaser and is not transferable.

Do Not Return The Unit to the Place of Purchase

Contact Erickson Manufacturing Ltd's Technical Service and service people will troubleshoot any issue via phone or email. Repairs or replacements without prior authorization, or at an unauthorized repair facility, will not be covered by this warranty.

Warranty Exclusions

This warranty does not cover the following repairs and equipment:

Normal Wear

This warranty does not cover the repair when use has exhausted the life of a part or the equipment as a whole.

Installation, Use and Maintenance

This warranty will not apply to parts and/or labor if this product is deemed to have been misused, neglected, involved in an accident, abused, loaded beyond specifications, modified, or installed improperly. Normal maintenance is not covered by this warranty.

Other Exclusions

This warranty excludes:

- Cosmetic defect such as paint, decal etc.
- Wear items
- Accessory parts
- Failures due to acts of God and other force majeure events beyond the manufacturer's control.
- Problems cause by parts that are not Erickson Manufacturing Ltd. parts.

Limits of implied Warranty and Consequential Damage

Erickson Manufacturing Ltd. disclaims any obligation to cover any loss time, use of this product, freight, or any incidental or consequential claim by anyone from using this product. **THIS WARRANTY IS IN LIEU OF ALL OTHER WARRANTIES EXPRESS OR IMPLIED, INCLUDING WARRANTIES OF MERCHANTABILITY OR FITNESS FOR A PARTICULAR PURPOSE.** A unit provided as exchange will be subject to the warranty of the original unit. The length of the warranty governing the exchanged unit will remain calculated by reference to the purchase date of the original unit. This warranty gives you certain legal rights which may change from state to state. Your state and/or province may also have other right you may be entitled to that are not listed within this warranty.

Contact Information

Marine City, Michigan 48039
Thamesville, Ontario N0P 2K0
Toll Free: 1-888-546-4668