

**NEVER LEAVE THE HEATER UNATTENDED WHILE BURNING!**

# OPERATING INSTRUCTIONS AND OWNER'S MANUAL



## FORCED AIR PROPANE CONSTRUCTION HEATER

Featuring **NEW QUIET BURNER TECHNOLOGY**

Model #

MH38QFA

**READ INSTRUCTIONS CAREFULLY:** Read and follow all instructions. Place instructions in a safe place for future reference. Do not allow anyone who has not read these instructions to assemble, light, adjust or operate the heater.



SCAN THE QR CODE OR GO TO  
[WWW.HEATSTARBYENERCO.COM/WARRANTY-REGISTRATION](http://WWW.HEATSTARBYENERCO.COM/WARRANTY-REGISTRATION)  
TO REGISTER YOUR HEATSTAR® PRODUCTS.  
SCANNEZ LE CODE QR OU ALLEZ SUR  
[WWW.HEATSTARBYENERCO.COM/WARRANTY-REGISTRATION](http://WWW.HEATSTARBYENERCO.COM/WARRANTY-REGISTRATION)  
POUR ENREGISTRER VOS PRODUITS HEATSTAR®  
ESCANEE EL CÓDIGO QR O VISITE  
[WWW.HEATSTARBYENERCO.COM/WARRANTY-REGISTRATION](http://WWW.HEATSTARBYENERCO.COM/WARRANTY-REGISTRATION)  
PARA REGISTRAR SUS PRODUCTOS HEATSTAR®

### LANGUAGES INCLUDED:

- ENGLISH
- FRENCH
- SPANISH

**WARNING:** If the information in this manual is not followed exactly, a fire or explosion may result causing property damage, personal injury or loss of life.

- Do not store or use gasoline or other flammable vapors and liquids in the vicinity of this or any other appliance.
- An LP cylinder not connected for use shall not be stored in the vicinity of this or any other appliance.
- WHAT TO DO IF YOU SMELL GAS
  - Do not try to light appliance.
  - Extinguish any open flame.
  - Shut off gas to appliance.
- Service must be performed by a qualified service agency.

This is an unvented gas-fired portable heater. It uses air (oxygen) from the area in which it is used. Adequate combustion and ventilation air must be provided. Refer to page-3.



## OPERATING PRECAUTIONS

This is a propane, direct-fired, forced air heater. It's intended use is primarily temporary heating of buildings under construction, alteration or repair.

Propane is heavier than air. If propane leaks from a connection or fitting, it sinks to the floor, collecting there with the surrounding air, forming a potentially explosive mixture. Obviously, propane leaks should be avoided, so set up the propane supply with utmost care. Read enclosed Odor Fade and Propane Sheet for additional information about detecting propane leaks. Leak check new connections or reconnections with a soap and water solution and follow all connection instructions herein. Also, ask your propane dealer for advice on the propane application and supply installation and ask him to check it if there are any questions.

This heater was designed and certified for use as a construction heater in accordance with ANSI Standard Z83.7/CGA 2.14. Check with your local fire safety authority if you have any questions about your applications. Other standards govern the use of fuel gases and heat producing products in specific applications. Your local authority can advise you about these.

Direct-Fired means that all of the combustion products enter the heated space. Even though this heater operates very close to 100 percent combustion efficiency, it still produces small amounts of carbon monoxide. Carbon monoxide (called CO) is toxic. We can tolerate small amounts but not a lot. CO can build up in a heated space and failure to provide adequate ventilation could result in death. The symptoms of inadequate ventilation are:

- headache
- dizziness
- burning eyes and nose
- nausea
- dry mouth or sore throat

So, be sure to follow advice about ventilation in these operating instructions.

Forced Air means that a blower or fan pushes the air through the heater. Proper combustion depends upon this air flow; therefore, the heater must not be revised, modified or operated with parts removed or missing. Likewise, safety systems must not be circumvented or modified in order to operate the heater.

When the heater is to be operated in the presence of other people the user is responsible for properly acquainting those present with the safety precautions and instructions, and of the hazards involved.

## SAFETY PRECAUTIONS

1. Check the heater thoroughly for damage. DO NOT operate a damaged heater.
2. **DO NOT** modify the heater or operate a heater which has been modified from its original condition.
3. Use only propane gas.
4. Use only VAPOR WITHDRAWAL propane supply. If there is any question about vapor withdrawal, ask your propane dealer.
5. Mount the propane cylinders vertically (shutoff valve up). Secure them from falling or being knocked over and protect them from damage.
6. Locate propane containers at least (USA) 7 ft. (2.13m), (Canada) 10 ft. (3m) from the heater and **do not** direct exhaust toward containers.
7. **IMPORTANT** Use only the hose and regulator assembly provided with the heater. Match the color stripe on the hang tag attached to the hose assembly with the color on the label located near the propane inlet fitting on the heater. Inspect hose assembly before each use of the heater. If there is excessive abrasion or wear, or hose is cut, replace with hose assembly listed on parts list before using heater.
8. For indoor use only. Area must be well ventilated. Provide minimum openings of 1/2 sq. ft. (.046 m<sup>2</sup>) near the floor and 1/2 sq. ft. (.046 m<sup>2</sup>) near the ceiling (also see "Operating Precautions").
9. If at any time gas odor is detected, IMMEDIATELY DISCONTINUE operation until the source of gas has been located and corrected. Read enclosed Odor fade and Propane Sheet for additional information about detecting propane leaks.
10. Install the heater such that it is not directly exposed to water spray, rain and/or dripping water.
11. Maintain minimum clearance from normal combustible material (like paper) as follows: floor-0 ft. (0 m); outlet-6 ft. (1.83m); sides-2 ft. (.61m); top-6 ft. (1.83m). Locate 10 ft. (3m) from canvas or plastic tarpaulins or similar coverings and secure them to prevent flapping or movement due to wind action.
12. Due to the high surface and exhaust temperatures, adults and children must observe clearances to avoid burns or clothing ignition.
13. Operate only on a stable, level surface.
14. Do not use with duct work. Do not restrict inlet or exit.
15. Use only the electrical power specified. The electrical connection and grounding must comply with National Electrical Code - ANSI/NFPA 70 (USA) and CSA C22.1 Canadian Electrical Code, Part 1 (Canada).
16. Use only a properly grounded 3-prong receptacle or extension cord (6 ft (1.83m) in length minimum).
17. Do not move, handle or service while hot or burning.
18. Use only in accordance with local codes or, in the absence of local codes, with the Standard for the Storage and Handling of Liquefied Petroleum Gases ANSI/NFPA 58 and CSA B149.1, Natural Gas and Propane Installation Code.

## ODOR FADE WARNING

### WARNING

#### Asphyxiation Hazard

- Do not use this heater for heating human living quarters.
- Do not use in unventilated areas.
- The flow of combustion and ventilation air must not be obstructed.
- Proper ventilation air must be provided to support the combustion air requirements of the heater being used.
- Refer to the specification section of the heater's manual, heater dataplate, or contact the factory to determine combustion air ventilation requirements of the heater.
- Lack of proper ventilation air will lead to improper combustion.
- Improper combustion can lead to carbon monoxide poisoning leading to serious injury or death. Symptom of carbon monoxide poisoning can include headaches dizziness and difficulty in breathing.

## FUEL GAS ODOR

LP gas and natural gas have man-made odorants added specifically for detection of fuel gas leaks.

If a gas leak occurs you should be able to smell the fuel gas. Since Propane (LP) is heavier than air you should smell for the gas odor low to the floor. **ANY GAS ODOR IS YOUR SIGNAL TO GO INTO IMMEDIATE ACTION!**

- Do not take any action that could ignite the fuel gas. Do not operate any electrical switches. Do not pull any power supply or extension cords. Do not light matches or any other source of flame. Do not use your telephone.
- Get everyone out of the building and away from the area immediately.
- Close all propane (LP) gas tank or cylinder fuel supply valves, or the main fuel supply valve located at the meter if you use natural gas.
- Propane (LP) gas is heavier than air and may settle in low areas. When you have reason to suspect a propane leak, keep out of all low areas.
- Use your neighbor's phone and call your fuel gas supplier and your fire department. Do not re-enter the building or area.
- Stay out of the building and away from the area until declared safe by the firefighters and your fuel gas supplier.
- FINALLY, let the fuel gas service person and the firefighters check for escaped gas. Have them air out the building and area before you return. Properly trained service people must repair any leaks, check for further leakages, and then relight the appliance for you.

## ODOR FADING - NO ODOR DETECTED

- Some people cannot smell well. Some people cannot smell the odor of the man-made chemical added to propane (LP) or natural gas. You must determine if you can smell the odorant in these fuel gases.
- Learn to recognize the odor of propane (LP) gas and natural gas. Local propane (LP) gas dealers will be more than happy to give you a scratch and sniff pamphlet. Use it to become familiar with the fuel gas odor.
- Smoking can decrease your ability to smell. Being around an odor for a period of time can affect your sensitivity to that particular odor. Odors present in animal confinement buildings can mask fuel gas odor.
- **The odorant in propane (LP) gas and natural gas is colorless and the intensity of its odor can fade under some circumstances.**
- If there is an underground leak, the movement of gas through the soil can filter the odorant.
- Propane (LP) gas odor may differ in intensity at different levels. Since Propane (LP) gas is heavier than air, there may be more odor at lower levels.
- **Always be sensitive to the slightest gas odor.** If you continue to detect any gas odor, no matter how small, treat it as a serious leak. Immediately go into action as discussed previously.

## ATTENTION - CRITICAL POINTS TO REMEMBER!

- Propane (LP) gas has a distinctive odor. Learn to recognize these odors. (Reference Fuel Gas Odor and Odor Fading sections above.)
- Even If you are not property trained in the service and repair of the heater, ALWAYS be consciously aware of the odors of propane (LP) gas and natural gas.
- If you have not been properly trained in repair and service of propane (LP) gas then do not attempt to light heater, perform service or repairs, or make any adjustments to the heater on the propane (LP) gas fuel system.
- A periodic sniff test around the heater or at the heater's joints; i.e. hose, connections, etc., is a good safety practice under any conditions. If you smell even a small amount of gas, CONTACT YOUR FUEL GAS SUPPLIER IMMEDIATELY. DO NOT WAIT!

## OPERATING INSTRUCTIONS

### PREPARING FOR OPERATION

1. Check the heater for possible shipping damage. If any is found, immediately notify the factory.
2. Follow all of the "Precautions".
3. Connect the POL fitting of hose and regulator assembly to the propane cylinder by rotating the POL nut counterclockwise into the propane cylinder's valve outlet and securely tighten with a wrench.
4. Connect the hose to the heater by rotating the hose fitting clockwise.
5. Securely tighten all gas connections.
6. Open the cylinder's gas valve and check all gas connections with a soap and water solution. **DO NOT USE A FLAME.**
7. Connect power cord to well-grounded 115V, 60 Hz, 1Ø source of power.
8. When using an extension cord, make certain that it is a 3-wire (grounded) cord of proper wire size, minimum length of 6 ft (1.83m).

### START

1. **THE HEATER POWER CORD MUST BE CONNECTED TO A GROUNDED 115V, 60HZ, 1Ø POWER SOURCE BEFORE HEATER IGNITION** and always allow heater fan (blower) to run for 20 seconds to purge fuel.
2. Open propane supply valve on propane tank slowly. Note: If not opened slowly, excess-flow check valve on propane tank will stop gas flow. If this happens, close propane supply valve and open again slowly. Wait 15 seconds before Step 3.
3. Push and hold automatic control valve button. Push piezo igniter button repeatedly until the burner lights.
4. After the burner lights, keep the gas valve button depressed for 30 seconds then release and the heater will continue to operate.

**WARNING:** Be sure motor and fan are running before pushing in automatic control valve button. Flames could flash outside heater or internal damage to heater may result if motor and fan are not running.

### STOP

1. Securely close valve on the propane cylinder.
2. Continue to operate heater until all fuel in the hose has burned.
3. Unplug the power cord.

**CAUTION:** Always shut off fuel supply before disconnecting electrical power.

### RESTART AFTER SAFETY SHUTDOWN

1. Securely close valve at propane cylinder. Unplug power cord.
2. Wait 5 minutes.
3. Restart following "START" procedure.

## MAINTENANCE AND STORAGE

1. The heater should be inspected before each use, and at least annually by a qualified person.
2. Before each use, check the soft "O" ring seat at the bullnose of the POL fitting. If the "O" ring is cut, scuffed, or otherwise damaged, replace it with part number 6681.
3. Turn off the gas at the LP-gas supply cylinder(s) when the heater is not in use.
4. When the heater is to be stored indoors, the connection between the LP-gas supply cylinder(s) and the heater must be disconnected and the cylinder(s) removed from the heater and stored out of doors and in accordance with Chapter 5 of the standard for Storage and Handling of Liquefied Petroleum Gases ANSI/NFPA 58 and CSA B149.1, Natural Gas and Propane Installation Code.

## SERVICING

A hazardous condition may result if a heater is used that has been modified or is not functioning properly. When the heater is working properly:

- \* The flame is contained within the heater.
- \* The flame is essentially blue with perhaps some yellow tipping.
- \* There is no strong disagreeable odor, eye burning or other physical discomfort.
- \* There is no smoke or soot internal or external to the heater.
- \* There are no unplanned or unexplained shut downs of the heater.

The parts lists and exploded view show the heater as it was constructed. Do not use a heater which is different from that shown. In this regard, use only the hose, regulator and cylinder connection fitting (called a POL fitting) supplied with the heater. **IMPORTANT** Match the color stripe on the hangtag attached to the hose assembly with the color on the label located near the propane inlet fitting on the heater. Do not use alternates. For this heater, the regulator must be set as shown in "specifications". If there is any uncertainty about the regulator setting, have it checked.

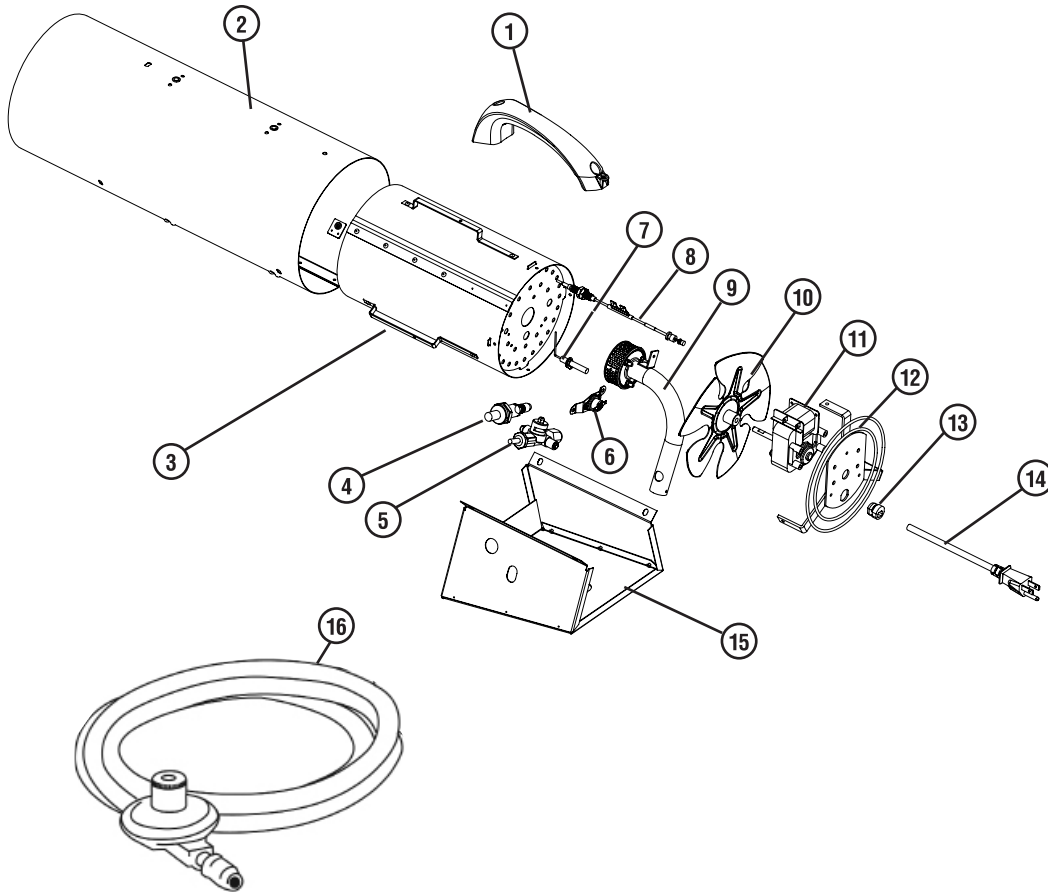
A heater which is not working right must be repaired, but only by a trained, experienced service person.

In-warranty products will be repaired with no charge for either parts or labor. Please include a brief statement indicating date, place of purchase, the nature of the problem and proof of purchase.

Out-of-warranty products will be repaired with a charge for parts and labor.

**NEVER LEAVE THE HEATER UNATTENDED WHILE BURNING!**

Forced Air Propane Construction Heater • Model #38QFA



REF.#	ITEM#	DESCRIPTION	QTY.	REF.#	ITEM#	DESCRIPTION	QTY.
1	27925	Carry Handle	1	13	26223	Strain Relief Bushing	1
2	27406	Outer Shell	1	14	22113	Power Cord	1
3	27437	Radiation Shield	1	15	27442	Base Assembly	1
4	26473	Piezo Igniter	1	16	27494M	Hose and Regulator Assembly	1
5	27438	Main Gas Valve	1				
6	27439	High Limit Switch	1				
7	28080	Ignition Electrode	1				
8	28082	Thermocouple	1				
9	27440	Burner Assembly	1				
10	28077	Fan Assembly	1				
11	28076	Motor	1				
12	27441	Rear Guard Assembly	1				

## SIZE AND CAPACITY OF PROPANE CYLINDERS REQUIRED

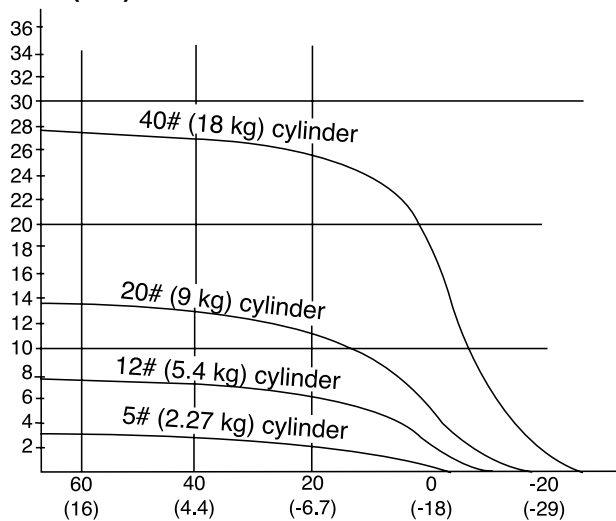
The charts below show the approximate size of the cylinder required for these heaters. To use the chart:

1. Select the lowest air temperature expected (at the bottom of the chart).
2. Move straight up to time of operation desired (left side of chart).
3. Read the cylinder size required.

All heaters should have:

- full cylinders
- good air circulation
- no frost on cylinders

### TIME (Hrs.)



## BTU'S PER HOUR REQUIRED

Cubic feet of space to be heated	BTU'S PER HOUR REQUIRED			
	Temperature Rise Required (°F)*			
	20°	30°	40°	50°
5,000	14,000	20,000	27,999	34,000
7,000	19,000	28,000	38,000	47,000
10,000	27,000	40,000	54,000	67,000
15,000	40,000	60,000	80,000	100,000
20,000	54,000	80,000	107,000	133,000
30,000	80,000	120,000	160,000	200,000
50,000	133,000	200,000	266,000	333,000

### WARRANTY

We are pleased that you have selected our product and take this opportunity to assure you that qualified service facilities are available if required. With the cooperation of independent dealers, a nationwide network of authorized servicing dealers is available for your servicing requirements.

Should your product require servicing, read the section of the manual entitled "Servicing".

Who gets the warranty? The warranty is limited to the consumer who originally purchases the product.

What is covered? This limited warranty covers all imperfections in workmanship and material.

What is not covered? This limited warranty does not cover damage resulting from accident, misuse or abuse, lack of proper maintenance, affixing of any attachments not provided with the products, or loss of parts. IN NO EVENT SHALL Mr. Heater TECHNICAL PRODUCTS BE LIABLE FOR ANY SPECIAL, INCIDENTAL OR CONSEQUENTIAL DAMAGES NOR FOR ANY DAMAGES RESULTING FROM MISUSE OR MODIFICATION OF THIS PRODUCT.

**⚠WARNING**

**Air Quality Hazard**

- Do not use this heater for heating human living quarters.
- Use of direct-fired heaters in the construction environment can result in exposure to levels of CO, CO<sub>2</sub>, and NO<sub>2</sub> considered to be hazardous to health and potentially life threatening.
- Do not use in unventilated areas.
- Know the signs of CO and CO<sub>2</sub> poisoning.
  - Headaches, stinging eyes
  - Dizziness, disorientation
  - Difficulty breathing, feels of being suffocated
- Proper ventilation air exchange (OSHA 29 CFR 1926.57) to support combustion and maintain acceptable air quality shall be provided in accordance with OSHA 29 CFR Part 1926.154, ANSI A10.10 Safety Requirements for Temporary and Portable Space Heating Devices and Equipment used in the Construction Industry or the Natural Gas and Propane Installation Codes CSA B149.1.
  - Periodically monitor levels of CO, CO<sub>2</sub> and NO<sub>2</sub> existing at the construction site – at the minimum at the start of the shift and after 4 hours.
  - Provide ventilation air exchange, either natural or mechanical, as required to maintain acceptable indoor air quality.

	USA 8-Hr Time weighted average (OSHA 29 CFR 1926.55 App A)	Canada 8-hr time weighted average WorkSafe BC OHS Guidelines Part 5.1 and Ontario Workplaces Reg 833
CO	50 ppm	25 ppm
CO <sub>2</sub>	5000 ppm	5000 ppm
NO <sub>2</sub>		3 ppm (Reg 833)
	USA – Ceiling Limit (Short Term Exposure Limit = 15 minutes)	Canada STEL (15 minutes Reg 833/1 hour WSBC) WorkSafe BC OHS Guidelines Part 5.1 and Ontario Workplaces Reg 833
CO		100 ppm
CO <sub>2</sub>		15000 ppm (WSBC) 30000 ppm (Reg 833)
NO <sub>2</sub>	5 ppm	1.0 ppm (WorkSafeBC) 5.0 ppm (Reg 833)

- Ensure that the flow of combustion and ventilation air exchange cannot become obstructed.
- As the building 'tightens up' during the construction phases ventilation may need to be increased.

Installation of this appliance at altitudes above 2000 ft (610 m) shall be in accordance with local codes, or in the absence of local codes, the National Fuel Gas Code, ANSI Z223.1/NFPA 54, or National Standard of Canada, Natural Gas and Propane Installation Code, CSA B149.1

The heater has been shipped from the factory set up for operation on propane gas.

**NEVER LEAVE THE HEATER UNATTENDED WHILE BURNING!**



# OPERATING INSTRUCTIONS AND OWNER'S MANUAL

Model #

MH38QFA

**READ INSTRUCTIONS CAREFULLY:** Read and follow all instructions. Place instructions in a safe place for future reference. Do not allow anyone who has not read these instructions to assemble, light, adjust or operate the heater.



## WARNING:

USE ONLY MANUFACTURER'S REPLACEMENT PARTS. USE OF ANY OTHER PARTS COULD CAUSE INJURY OR DEATH. REPLACEMENT PARTS ARE ONLY AVAILABLE DIRECT FROM THE FACTORY AND MUST BE INSTALLED BY A QUALIFIED SERVICE AGENCY.

## PARTS ORDERING INFORMATION:

**PURCHASING:** Accessories may be purchased at any Heatstar by Enerco local dealer or direct from the factory

### FOR INFORMATION REGARDING SERVICE

Please call Toll-Free 866-447-2194 • [www.heatstarbyenerco.com](http://www.heatstarbyenerco.com)

Our office hours are 8:00 AM – 5:00 PM, EST, Monday through Friday.

Please include the model number, date of purchase, and description of problem in all communication.

## LIMITED WARRANTY

The company warrants this product to be free from imperfections in material or workmanship, under normal and proper use in accordance with instructions of The Company, for a period of two years from the date of delivery to the buyer. The Company, at its option, will repair or replace products returned by the buyer to the factory, transportation prepaid within said two year period and found by the Company to have imperfections in material or workmanship.

If a part is damaged or missing, call our Technical Support Department at 866-447-2194.

Address any Warranty Claims to the Service Department, Enerco Group, Inc. 4560 W. 160th St., Cleveland, Ohio 44135. Include your name, address and telephone number and include details concerning the claim. Also, supply us with the purchase date and the name and address of the dealer from whom you purchased our product.

The foregoing is the full extent of the responsibility of the Company. There are no other warranties, express or implied. Specifically there is no warranty of fitness for a particular purpose and there is no warranty of merchantability. In no event shall the Company be liable for delay caused by imperfections, for consequential damages, or for any charges of the expense of any nature incurred without its written consent. The cost of repair or replacement shall be the exclusive remedy for any breach of warranty. There is no warranty against infringement of the like and no implied warranty arising from course of dealing or usage of trade. This warranty will not apply to any product which has been repaired or altered outside of the factory in any respect which in our judgment affects its condition or operation.

Some states do not allow the exclusion or limitation of incidental or consequential damages, so the above limitation or exclusion may not apply to you. This Warranty gives you specific legal rights, and you may have other rights which vary from state to state.

Enerco Group, Inc. reserves the right to make changes at any time, without notice or obligation, in colors, specifications, accessories, materials and models.

**PRODUCT REGISTRATION:** Thank you for your purchase.  
Please log in to <http://www.egiregistration.com> to register your product.

Enerco Group, Inc., 4560 W. 160TH ST., CLEVELAND, OHIO 44135 • 866-447-2194  
© 2025, Enerco Group, Inc. All rights reserved



**Intertek**

# GUIDE D'UTILISATION ET MANUEL DU PROPRIÉTAIRE



**APPAREIL DE CHAUFFAGE AU PROPANE À AIR PULSÉ POUR CHANTIER DE CONSTRUCTION mettant en vedette: NOUVELLE TECHNOLOGIE DE BRÛLEUR AU CALME**

Model #

MH38QFA

**LISEZ SOIGNEUSEMENT LES INSTRUCTIONS** : Lisez et observez toutes les instructions. Conservez ces instructions dans un endroit sécuritaire pour vous y référer ultérieurement. Ne permettez pas à quiconque n'ayant pas lu les présentes instructions d'assembler, d'allumer, de régler ou de faire fonctionner l'appareil.



## LANGUES INCLUS:

- ANGLAIS
- FRANCAIS
- ESPAGNOL

**AVERTISSEMENT :** Le non-respect des instructions, telles qu'indiquées dans le présent guide, risque d'entraîner une explosion ou un incendie entraînant des dommages matériels ou des blessures graves, voire mortelles.

- N'entreposez ni n'utilisez d'essence ou autres liquides ou vapeurs inflammables à proximité de ce type d'appareil.
- Aucune bonbonne de propane liquéfié non raccordée pour utilisation ne doit se trouver à proximité de cet appareil, ni d'aucun autre appareil.
- EN PRÉSENCE D'UNE ODEUR DE GAZ
  - Ne tentez pas d'allumer l'appareil de chauffage.
  - Éteignez toute flamme nue.
  - Fermez l'alimentation en gaz à l'appareil.
- L'entretien doit être effectué par un fournisseur de services d'entretien qualifié.

Cet appareil de chauffage portatif alimenté au gaz n'est pas ventilé. Il utilise l'oxygène de l'air ambiant. Une circulation d'air adéquate doit être assurée pour la combustion et la ventilation. Voir page 3.

**⚠ AVERTISSEMENT :**  
 VOTRE SÉCURITÉ EST IMPORTANTE POUR VOUS ET POUR LES AUTRES, PAR CONSÉQUENT VEUILLEZ LIRE CES DIRECTIVES AVANT DE FAIRE FONCTIONNER CET APPAREIL DE CHAUFFAGE.

**⚠ AVERTISSEMENT GÉNÉRAL DE DANGER :**  
 LE NON-RESPECT DES MESURES DE PRÉVENTION ET DES INSTRUCTIONS FOURNIES AVEC CET APPAREIL DE CHAUFFAGE RISQUE DE CAUSER LA MORT, DES BLESSURES GRAVES ET DES DOMMAGES OU DES PERTES MATÉRIELLES RÉSULTANT D'INCENDIE, D'EXPLOSION, DE BRÛLURE, D'ASPHYXIE, D'INTOXICATION AU MONOXYDE DE CARBONE ET/OU D'ÉLECTROCUTION. SEULES LES PERSONNES APTES À COMPRENDRE ET À RESPECTER LES INSTRUCTIONS DEVRAIENT UTILISER OU EFFECTUER LE SERVICE DE CET APPAREIL DE CHAUFFAGE.  
 SI VOUS AVEZ BESOIN D'AIDE OU D'INFORMATION CONCERNANT L'APPAREIL DE CHAUFFAGE TELS QUE MANUEL D'INSTRUCTIONS, ÉTIQUETTES, ETC., VEUILLEZ COMMUNIQUER AVEC LE FABRICANT.

**⚠ AVERTISSEMENT :**  
**LE MONOXYDE DE CARBONE PEUT VOUS TUER**  
 NON POUR L'UTILISATION DE VÉHICULES À DOMICILE OU RÉCRÉATIF, L'UTILISATION D'UN CHAUFFAGE PORTABLE DANS UN ENDROIT CERTIFIÉ PEUT PRODUIRE DU MONOXYDE DE CARBONE MORTEL.

**⚠ AVERTISSEMENT :**  
 DANGER D'INCENDIE, D'INHALATION ET D'EXPLOSION. GARDEZ LES COMBUSTIBLES SOLIDES TELS QUE LES MATÉRIEAUX DE CONSTRUCTION LE PAPIER ET LE CARTON À UNE DISTANCE SÉCURITAIRE DE L'APPAREIL DE CHAUFFAGE TEL QUE RECOMMANDÉ DANS LES INSTRUCTIONS. N'UTILISEZ JAMAIS L'APPAREIL DE CHAUFFAGE DANS UN ENDROIT QUI CONTIENT OU RISQUE DE CONTENIR DES COMBUSTIBLES VOLATILES OU EN SUSPENSION DANS L'AIR, OU DES PRODUITS TELS QUE DE L'ESSENCE, DES SOLVANTS, DU DILUANT À PEINTURE, DES PARTICULES DE POUSSIÈRE OU DES PRODUITS CHIMIQUES INCONNUS.

**⚠ AVERTISSEMENT:** CE PRODUIT PEUT VOUS EXPOSER À PLOMB ET COMPOSÉS DE PLOMB, IDENTIFIÉ PAR L'ÉTAT DE CALIFORNIE COMME POUVANT CAUSER LE CANCER. LAVEZ-VOUS LES MAINS APRÈS AVOIR MANIPULÉ CE PRODUIT. POUR DE PLUS AMPLES INFORMATIONS, PRIÈRE DE CONSULTER WWW.P65WARNINGS.CA.GOV.

**⚠ AVERTISSEMENT:** Les carburants utilisés dans les appareils à des produits chimiques, notamment le benzène, connu en Californie pour causer le cancer et causer des malformations congénitales ou d'autres problèmes de reproduction. [www.P65Warnings.ca.gov](http://www.P65Warnings.ca.gov)

**TABLE DES MATIÈRES**

SPÉCIFICATIONS ..... 2  
 AVERTISSEMENTS ..... 2  
 PRÉCAUTIONS LIÉES AU FONCTIONNEMENT ..... 3  
 PRÉCAUTIONS LIÉES À LA SÉCURITÉ ..... 3  
 AVERTISSEMENT LIÉ AUX SUBSTANCES ODORANTES ..... 4  
 INSTRUCTIONS DE FONCTIONNEMENT ..... 5  
 ENTRETIEN ..... 5  
 PIÈCES ..... 6  
 TABLEAU DE DIMENSIONS ET CONTENANCES ..... 7  
 TABLEAU DE BTU REQUIS ..... 7  
 GARANTIE ..... 8  
 INSTRUCTIONS POUR LA COMMANDE DE PIÈCES ..... 8

**SPÉCIFICATIONS**

Type de gaz : ..... Pour une utilisation avec le propane seulement  
 Pression de l'alimentation en gaz au régulateur ..... Max : 14,6 kg/cm<sup>2</sup> (200 l/po<sup>2</sup>) (1 380 kPa)  
 Min: 1,41 kg/cm<sup>2</sup> (20 po) (137,9 kPa)  
 sortie du régulateur ..... 20 po CE (137.9 kPa)  
 Entrée électrique : ..... 115V, 60 Hz, 1Ø, 3a  
 Voltage opérationnel min. : 100V  
 Allumage : ..... allumage piézo, manuel  
 Contrôle de la flamme primaire: ..... Robinet de gaz à fonctionnement par thermocouple  
 Contrôle de haute température: ..... 116 °C (240 °F)  
 Temp. ambiante min. Caractéristique nominale -17,8 °C (0 °F)  
**Modèle : ..... 38QFA**  
 Tension : ..... 38 000 BTU/h (11.14 kW)  
 Consommation de carburant : ..... 1,6 no/h (0,72 kg/h)

## PRÉCAUTIONS LIÉES AU FONCTIONNEMENT

Cet appareil de chauffage à air pulsé et à feu direct fonctionne au gaz propane. Il est destiné principalement à chauffer temporairement des édifices en construction, en rénovation ou en réparation.

Le gaz propane est plus lourd que l'air. Si du gaz propane fuit d'une connexion ou d'un raccord, il se dirige vers le plancher, se mélange avec l'air ambiant et forme un mélange potentiellement explosif. Évidemment, les fuites de gaz propane devraient être évitées ; il est donc important de raccorder l'alimentation en propane avec le plus grand soin. Veuillez lire le feuillet « Substance odorante et gaz propane » ci-joint pour obtenir plus de précisions relatives à la détection des fuites de gaz propane. Vérifiez la présence de fuite aux nouvelles connexions et raccords en utilisant un mélange d'eau et de savon et suivez les instructions mentionnées. Obtenez également les conseils de votre détaillant quant à votre installation au propane et posez-lui toute question que vous auriez à cet égard.

Cet appareil a été conçu et homologué pour être utilisé comme appareil de chauffage pour chantier de construction, conformément à la norme 83,7/CGA 2, 14 de l'ANSI. Soumettez à l'organisme local responsable de la sécurité et des incendies toute question relative à votre type d'installation. Selon le type d'application, d'autres normes peuvent s'appliquer et régir l'utilisation des produits de combustion, de gaz combustible et des appareils de chauffage. L'organisme local qui en est responsable saura vous conseiller à cet égard.

Le fonctionnement à feu direct de cet appareil signifie que tous les produits de combustion se retrouvent dans l'air ambiant. Même si l'efficacité de combustion de l'appareil de chauffage est presque complète, il produit quand même de petites quantités de monoxyde de carbone. Le monoxyde de carbone (appelé CO) est toxique. Notre organisme ne peut en supporter que de faibles quantités. Il est possible que le CO s'accumule dans le local à chauffer. Une ventilation inadéquate pourrait ainsi causer la mort. Les symptômes ressentis en cas de ventilation inadéquate sont les suivants :

- mal de tête
- étourdissement
- sensation de brûlure au nez et aux yeux
- nausée
- mal de gorge ou bouche sèche

Assurez-vous donc de respecter les conseils au sujet de la ventilation mentionnés dans ces instructions.

Un appareil à air pulsé signifie que l'air est soufflé dans l'appareil de chauffage par un ventilateur. La qualité de la combustion dépend du débit d'air. Par conséquent, l'appareil de chauffage ne doit pas être modifié ni fonctionner si des pièces sont manquantes. Dans le même ordre d'idées, les systèmes de sécurité ne doivent pas être contournés ni modifiés pour faire fonctionner l'appareil.

Lorsque l'appareil de chauffage doit fonctionner en présence d'autres personnes, l'utilisateur est responsable d'informer ces dernières des instructions et précautions liées à la sécurité et de les avvertir des dangers inhérents.

## AVERTISSEMENT LIÉ AUX SUBSTANCES ODORANTES

### AVERTISSEMENT

#### Risque d'asphyxie

- Cet appareil ne doit pas être utilisé pour le chauffage de locaux où demeurent des gens.
- Ne l'utilisez pas dans des endroits non aérés.
- Le débit de chaleur et d'air de ventilation ne doit pas être obstrué.
- Le processus de combustion de cet appareil exige un apport adéquat en air de ventilation.
- Consultez la rubrique portant sur les spécifications techniques dans le manuel de l'appareil ou sur la plaque de données de l'appareil, ou communiquez avec le fabricant pour obtenir les renseignements relatifs aux exigences en apport d'air de ventilation pour la combustion.
- Le processus de combustion ne peut s'effectuer correctement si l'apport en air de ventilation est insuffisant.
- Une combustion inadéquate produit des émanations nocives de monoxyde de carbone pouvant entraîner des troubles de santé graves, voire mortels. Les symptômes d'empoisonnement au monoxyde de carbone sont les maux de tête, les étourdissements et la difficulté respiratoire.

## ODEUR DE GAZ COMBUSTIBLE

**Des additifs odorants ont été ajoutés au gaz propane liquéfié et au gaz naturel dans le but de faciliter la détection de fuites.**

**Vous devriez remarquer une odeur de gaz combustible s'il y a une fuite. Comme le gaz propane (liquéfié) est plus lourd que l'air, l'odeur de gaz se détecte plus facilement près du sol.**

**TOUTE ODEUR DE GAZ EST UN SIGNAL QU'IL FAUT INTERVENIR IMMÉDIATEMENT !**

- Ne prenez aucune mesure qui provoquerait l'allumage des vapeurs de gaz. N'utilisez aucun interrupteur électrique. Ne tirez sur aucune source d'alimentation électrique ou rallonge électrique. N'allumez pas d'allumettes ni aucune source de flamme. N'utilisez pas votre téléphone.
- Faites évacuer immédiatement toute personne se trouvant dans l'immeuble.
- Fermez tous les robinets d'alimentation du réservoir de gaz propane (liquéfié) ou de la bonbonne, ainsi que le robinet d'alimentation principale situé sur le compteur, si vous utilisez du gaz naturel.
- Le gaz propane (liquéfié) est plus lourd que l'air et peut s'accumuler dans les endroits près du sol. Si vous croyez qu'il y a une fuite de gaz propane, éloignez-vous des endroits plus bas.
- Utilisez le téléphone d'un voisin et communiquez avec votre fournisseur en gaz combustible et votre service d'incendies. Ne retournez pas dans l'immeuble ou dans le secteur.
- N'entrez pas dans l'immeuble et restez-en à l'écart jusqu'à ce que le personnel du service des incendies ou le fournisseur en gaz combustible ait confirmé que l'endroit ne comporte aucun risque.
- EN DERNIER LIEU, laissez le personnel du service des incendies ou d'approvisionnement en gaz combustible vérifier si du gaz s'échappe. Assurez-vous qu'ils aient aéré l'immeuble avant d'y retourner. Le personnel d'entretien expérimenté doit colmater toute fuite, vérifier la présence d'autres fuites, puis se charger d'allumer l'appareil pour vous.

## SUBSTANCE ODORANTE AUCUNE ODEUR DÉCELÉE

- Certaines personnes ne détectent pas bien les odeurs. Il est donc possible que certaines personnes ne puissent sentir la substance odorante ajoutée au gaz propane (liquéfié) ou au gaz naturel. Vous devez savoir si vous arrivez à déceler l'odeur de cette substance dans le gaz combustible.
  - Apprenez à reconnaître l'odeur du gaz propane et celle du gaz naturel. Pour ce faire, les détaillants de gaz propane (liquéfié) locaux seront heureux de vous fournir un feuillet comprenant une pastille à humer. Servez-vous de cette pastille pour vous aider à reconnaître l'odeur de gaz combustible.
- Le tabagisme peut nuire à votre faculté olfactive. Votre facilité à déceler une odeur quelconque peut s'estomper si vous demeurez un certain temps dans un endroit où cette odeur est présente. La présence d'animaux dans des endroits clos peut aussi masquer l'odeur du gaz combustible.
- **La substance odorante contenue dans le gaz propane (liquéfié) et le gaz naturel est incolore et, selon certaines circonstances, son odeur pourrait s'estomper.**
- En cas de fuite souterraine, le déplacement du gaz dans le sol peut filtrer l'odeur.
- L'intensité de l'odeur du gaz propane (liquéfié) peut varier à différents niveaux. Étant donné que le gaz propane (liquéfié) est plus lourd que l'air, l'odeur peut être plus prononcée à des niveaux inférieurs.
- **Portez toujours attention à la moindre odeur de gaz.** Si une odeur de gaz persiste, même si elle est minime, agissez comme s'il s'agissait d'une fuite importante. Intervenez immédiatement tel que décrit précédemment.

## ATTENTION POINTS ESSENTIELS À RETENIR !

- Le gaz propane (liquéfié) dégage une odeur particulière. Apprenez à reconnaître cette odeur. Consultez les rubriques Odeur du gaz combustible et Substance odorante, ci-dessus.
- Même si vous n'avez pas été formé pour effectuer l'entretien et la réparation de l'appareil, soyez TOUJOURS attentif aux odeurs que dégagent le gaz propane (liquéfié) et le gaz naturel.
- Si vous n'êtes pas formé pour procéder à l'entretien et à la réparation des appareils au gaz propane (liquéfié), ne tentez pas d'allumer l'appareil, de le réparer ou de l'entretenir, ni d'apporter des réglages au système d'alimentation en gaz propane de l'appareil.
- Peu importe les conditions, une bonne pratique de sécurité consiste à sentir de temps à autre autour de l'appareil, des raccords, du tuyau et autres éléments. Si vous décelez la moindre odeur de gaz, COMMUNIQUEZ IMMÉDIATEMENT AVEC VOTRE FOURNISSEUR EN GAZ COMBUSTIBLE. N'ATTENDEZ PAS !

## INSTRUCTIONS DE FONCTIONNEMENT

### AVANT LE FONCTIONNEMENT

1. Vérifiez soigneusement tout dommage qu'aurait pu subir l'appareil de chauffage pendant l'expédition. Si vous en découvrez, avertissez *immédiatement* le fabricant.
2. Respectez toutes les « Précautions ».
3. Branchez le raccord POL (filet à gauche) du tuyau et du régulateur en tournant l'écrou POL en sens anti-horaire dans la sortie du robinet de la bonbonne de gaz propane, puis serrez-le avec une clé.
4. Raccordez le tuyau à l'appareil de chauffage en tournant le raccord en sens horaire.
5. Serrez fermement toutes les connexions de gaz.
6. Ouvrez le robinet de gaz de la bonbonne et vérifiez toutes les connexions au moyen d'un mélange d'eau et de savon. N'UTILISEZ PAS DE FLAMME.
7. Raccordez le cordon d'alimentation à une source d'alimentation électrique de 115 V, 60 Hz, 1 Ø, mise à la terre correctement.
8. Lorsque vous utilisez une rallonge électrique, assurez-vous que celle-ci comporte trois fils (mise à la terre) de dimension appropriée et d'une longueur minimale de 1,83 m (6 pi).

### DÉMARRAGE

1. **LE CORDON D'ALIMENTATION DE L'APPAREIL DOIT ÊTRE RACCORDÉ À UNE ALIMENTATION ÉLECTRIQUE DE 115 V, 60 HZ, 1 Ø MISE À LA TERRE AVANT L'ALLUMAGE** et doit toujours faire en sorte que le ventilateur de l'appareil (soufflant) puisse fonctionner pendant 20 secondes pour éliminer le gaz combustible.
2. Ouvrez lentement le robinet d'alimentation sur le réservoir de gaz propane. Nota : Si le robinet du réservoir de gaz propane est ouvert trop rapidement, le limiteur de débit coupera le débit de gaz. Si cela se produit, fermez le robinet d'alimentation en gaz propane, puis ouvrez-le lentement. Attendez 15 secondes avant de poursuivre à l'étape 3.
3. Appuyez et maintenez le bouton de la valve de régulation automatique. Appuyez sur le bouton de l'allumeur piézoélectrique à plusieurs reprises jusqu'à ce que le brûleur s'allume.
4. Une fois le brûleur allumé, gardez le bouton du robinet de gaz enfoncé pendant 30 secondes avant de le relâcher et l'appareil de chauffage restera en fonction.

**AVERTISSEMENT :** Veillez à ce que le moteur et le ventilateur fonctionnent avant d'appuyer sur le bouton du robinet de réglage automatique. Les flammes pourraient jaillir à l'extérieur du brûleur ou endommager les éléments internes de l'appareil si le moteur et le ventilateur ne sont pas mis en marche.

### ARRÊT

1. Fermez le robinet sur la bonbonne de gaz propane.
2. Laissez l'appareil fonctionner jusqu'à ce que tout le gaz dans le tuyau ait brûlé.
3. Débranchez le cordon d'alimentation.

**ATTENTION :** Fermez toujours l'alimentation en gaz avant de débrancher l'alimentation électrique.

### REDÉMARRAGE APRÈS UN ARRÊT D'URGENCE

1. Fermez complètement le robinet sur la bonbonne de gaz propane. Débranchez le cordon d'alimentation.
2. Attendez cinq minutes.
3. Recommencez la procédure « DÉMARRAGE ».

Appareil de chauffage au propane à air pulsé pour chantier de construction

## ENTRETIEN ET ENTREPOSAGE

1. L'appareil de chauffage doit être vérifié avant chaque utilisation et au moins une fois par année par un technicien qualifié.
2. Avant chaque utilisation, vérifiez l'assise du joint torique souple à la partie arrondie du raccord POL (filet à gauche). Si le joint torique est coupé, usé ou endommagé de quelque façon, remplacez-le par la pièce n° 6681.
3. Coupez l'alimentation en gaz propane liquéfié quand l'appareil n'est pas utilisé.
4. Quand l'appareil de chauffage est rangé à l'intérieur, la connexion entre la bonbonne d'alimentation en gaz propane liquéfié et l'appareil doit être débranchée et la bonbonne doit être retirée de l'appareil et rangée à l'extérieur, tel que précisé au chapitre 5 de la norme relative au rangement et à la manutention des produits de pétrole liquéfiés ANSI/NFPA 58 et CSA B149.1 du Code d'installation du gaz naturel et du gaz propane.

## ENTRETIEN

Un appareil de chauffage qui a été modifié ou qui ne fonctionne pas correctement risque d'être une cause de dangers. Lorsqu'il fonctionne correctement :

- \* La flamme reste dans l'appareil de chauffage.
- \* La flamme a une teinte bleue avec une pointe de couleur jaune.
- \* Il n'y a pas de forte odeur désagréable, pas de sensation de brûlure aux yeux, ni de malaise physique général.
- \* Il n'y a pas présence de fumée ni de suie à l'intérieur ou à l'extérieur de l'appareil de chauffage.
- \* Il ne se produit pas d'arrêts imprévus ou inexplicables de l'appareil.

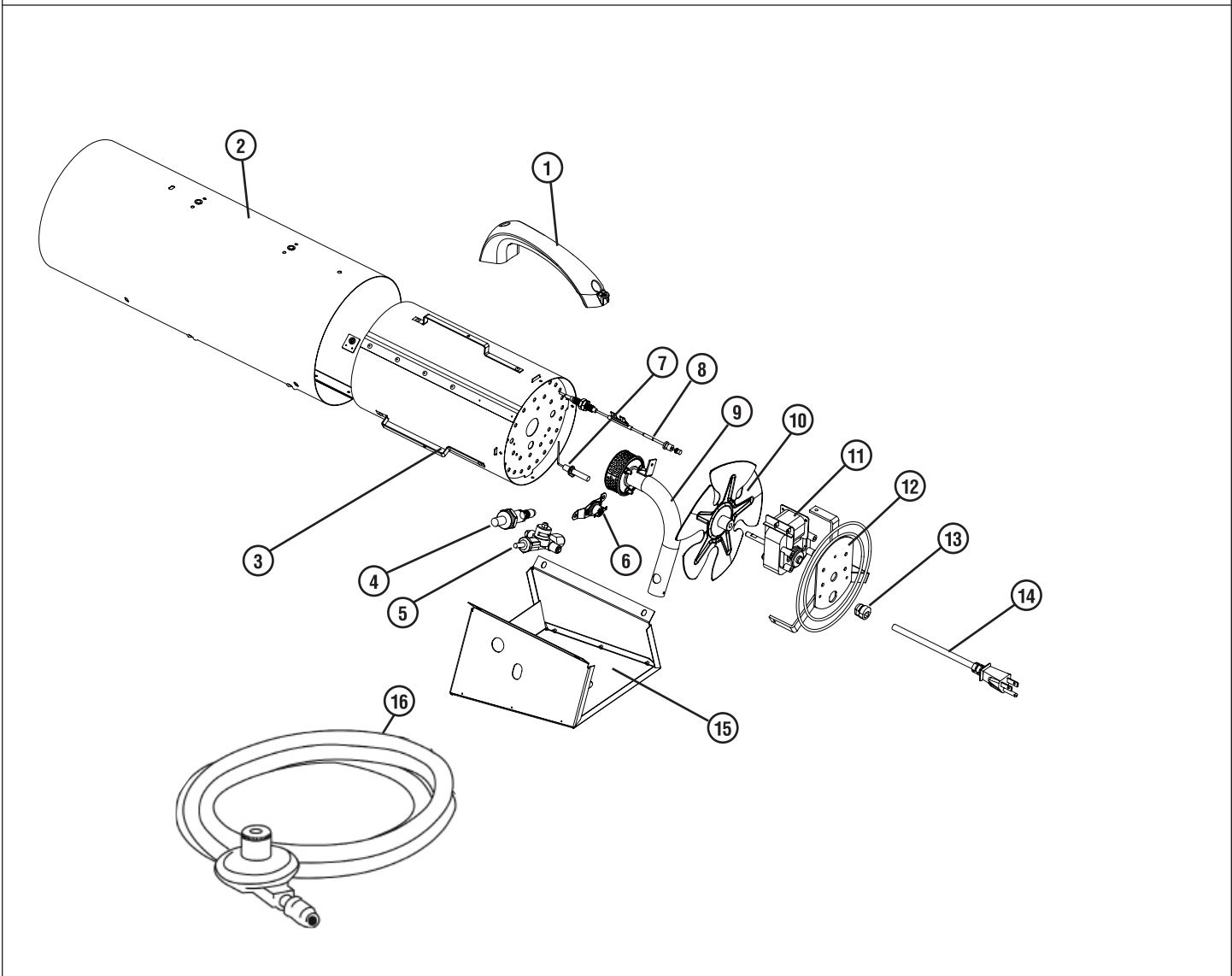
La liste des pièces et le schéma du câblage illustrent la construction détaillée de l'appareil de chauffage. N'utilisez pas un appareil de chauffage qui diffère de ce qui est illustré. N'utilisez à cet effet que le tuyau, le régulateur et le raccord de bonbonne (appelé raccord POL) fournis avec l'appareil de chauffage. **IMPORTANT :** Faire correspondre la bande de couleur de l'étiquette fixée au tuyau à la couleur de l'étiquette située près du raccord d'entrée de gaz propane. N'utilisez aucun élément de substitution. Sur cet appareil de chauffage, le régulateur doit être réglé tel qu'indiqué à la rubrique « Spécifications ». Si vous avez un doute au sujet du réglage du régulateur, faites-le vérifier.

Si un appareil de chauffage ne fonctionne pas correctement, il doit être réparé, mais *seulement* par un technicien formé et expérimenté.

Les produits couverts par la garantie seront réparés sans frais, pièces et main-d'œuvre comprises. Veuillez joindre une courte description de la nature du problème avec la date, le lieu et la preuve d'achat.

Les produits non couverts par la garantie seront réparés aux frais (pièces et main-d'œuvre) du client.

Appareil de chauffage à air pulsé au gaz propane pour chantier de construction • Modèle #38QFA



REF.#	ITEM#	DESCRIPTION	QTY.	REF.#	ITEM#	DESCRIPTION	QTY.
1	27925	Poignee, Transport	1	13	26223	Reducteur, de Tensionde la Bague	1
2	27406	Baril	4	14	22113	Cordon d'alimentation	1
3	27437	Ecran, Radiation Assemblage	1	15	27442	Base, Assemblage	1
4	26473	Piezo	1	16	27494M	Boyau et Controleur de Debit	1
5	27438	Robinet, az Assemblage	1				
6	27439	Interrupter, Superieur, Limite	1				
7	28080	Electrode, Allumage	1				
8	28082	Thermocouple Assemblage	1				
9	27440	Bruleur, Assemblage, Principal	1				
10	28077	Ventilateur, Sans Brosse	1				
11	28076	Moteur Assemblage	1				
12	27441	Garde, Arriere	1				

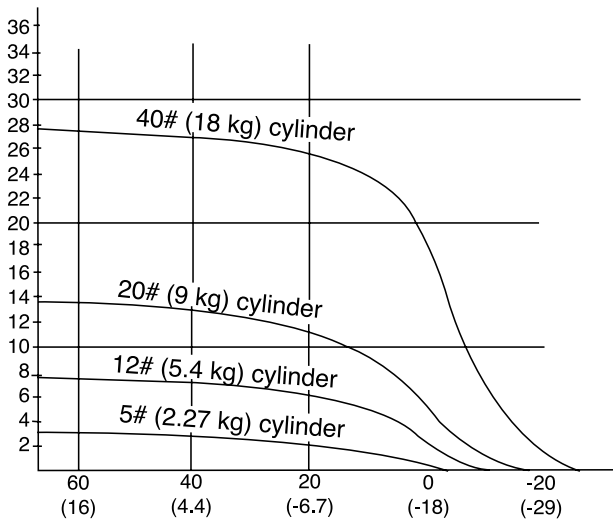
## TABLEAU DE DIMENSIONS ET CONTENANCES DES BONBONNES DE GAZ PROPANE REQUISES

Les tableaux qui suivent indiquent la taille approximative de la bonbonne de gaz requise pour ces appareils de chauffage. Pour utiliser le tableau :

1. Sélectionnez la température de l'air la plus basse prévue (au bas du tableau).
2. Allez ensuite directement au haut du tableau au temps d'utilisation désiré (côté gauche du tableau).
3. Notez la dimension de la bonbonne requise.

Tous les appareils de chauffage doivent : être munis de bonbonnes pleines  
disposer d'une bonne circulation d'air  
ne présenter aucun signe de givre

### DURÉE (HEURES)



## BTU PAR HEURE REQUIS

NOMBRE DE BTU REQUISES PAR HEURE				
Pieds cubes d'espace à chauffer	Augmentation de la température requise (°F)*			
	20°	30°	40°	50°
5,000	14,000	20,000	27,999	34,000
7,000	19,000	28,000	38,000	47,000
10,000	27,000	40,000	54,000	67,000
15,000	40,000	60,000	80,000	100,000
20,000	54,000	80,000	107,000	133,000
30,000	80,000	120,000	160,000	200,000
50,000	133,000	200,000	266,000	333,000

### GARANTIE

Nous vous remercions d'avoir choisi notre produit et nous profitons de cette occasion pour vous mentionner que nos ateliers de réparation seront à votre disposition, au besoin. Nous travaillons en étroite collaboration avec un réseau national de détaillants indépendants qui sont également à votre disposition pour répondre à vos besoins en matière de réparation.

Si ce produit nécessite des réparations, lisez la section « Réparation » du présent manuel.

À qui s'adresse la garantie ? Seul l'acheteur original du produit peut profiter de la présente garantie.

Quels éléments sont couverts par la garantie ? La garantie limitée couvre tous les défauts de pièces et de main-d'œuvre.

Quels éléments ne sont pas couverts par la garantie ? La présente garantie limitée ne couvre pas les dommages découlant d'un accident, d'un mauvais usage ou d'un usage abusif, d'un manque d'entretien, de l'ajout de pièces détachées non fournies avec le produit, ni la perte de pièce. ENERCO TECHNICAL PRODUCTS NE SERA EN AUCUN CAS TENUE RESPONSABLE DE DOMMAGES PARTICULIERS, ACCESSOIRES OU CONSÉCUTIFS, NI D'AUCUN DOMMAGE DÉCOULANT D'USAGE ABUSIF OU DE MODIFICATION APPORTÉE À CE PRODUIT.

**△AVERTISSEMENT****Danger de la qualité de l'air**

- N'utilisez pas cet appareil de chauffage pour le chauffage des locaux d'habitation humaine.
- L'utilisation des appareils de chauffage direct dans les environnements de construction peut vous exposer à des niveaux de CO, CO<sub>2</sub>, et NO<sub>2</sub>, qui sont considérés comme dangereux pour la santé et potentiellement mortels.
- Ne pas utiliser dans les zones non ventilées.
- Connaissez les signes d'empoisonnement au CO et CO<sub>2</sub>.
  - Maux de tête, brûlure des yeux
  - Vertige, désorientation
  - Difficulté à respirer, sensation d'étouffement
- Un échange d'air de ventilation adéquat (OSHA 29 CFR 1926.57) pour supporter la combustion et maintenir une qualité de l'air acceptable est fournie selon OSHA 29 CFR partie 1926.154, ANSI A10.10 Exigences de sécurité pour les appareils et équipements de chauffage portables et temporaires utilisés dans l'industrie de la construction ou les Codes CSA pour le gaz naturel et le gaz propane CSA B149.1.
  - Surveiller périodiquement les niveaux de CO, de CO<sub>2</sub> et de NO<sub>2</sub> existants sur le site de construction – à tout le moins au début du quart de travail et après 4 heures.
  - Prévoir un échange d'air de ventilation, soit naturel ou mécanique, tel que requis pour maintenir une qualité de l'air intérieur acceptable.

	Moyenne pondérée dans le temps sur 8 heures, États-Unis (OSHA 29 CFR 1926.55 App A)	Moyenne pondérée dans le temps sur 8 heures, Canada Directives SST de WorkSafe BC partie 5.1 et Règlement sur les milieux de travail en Ontario 833
CO	50 parties par million	25 parties par million
CO <sub>2</sub>	5000 parties par million	5000 parties par million
NO <sub>2</sub>		3 parties par million (Reg 833)
	É.-U. - Limite de plafond (limite d'exposition à court terme = 15 minutes)	Directives de SST Canada STEL (15 minutes Rég. 833 / 1 heure WSBC) de WorkSafe BC partie 5.1 et Règlement sur les milieux de travail en Ontario 833
CO		100 parties par million
CO <sub>2</sub>		15000 parties par million (WSBC) 30000 parties par million (Reg 833)
NO <sub>2</sub>	5 parties par million	1.0 parties par million (WorkSafeBC) 5.0 parties par million (Reg 833)

- Assurez-vous que le débit d'échange d'air de combustion et de ventilation ne peut pas être obstrué.
- La ventilation peut devoir être augmentée à mesure que le bâtiment « durcit » lors des phases de construction.

L'installation de cet appareil à une altitude supérieure à 2000 pi (610 m) doit être conforme aux codes locaux, ou en l'absence de codes locaux, le National Fuel Gas Code, ANSI Z223.1/NFPA 54, ou la norme nationale du Canada, le Code pour le gaz naturel et le gaz propane, CSA B149.1.

L'appareil de chauffage a été expédié de l'usine, configuré pour fonctionner au gaz propane.



# GUIDE D'UTILISATION ET MANUEL DU PROPRIÉTAIRE

Modèle # :

MH38QFA

**LISEZ SOIGNEUSEMENT LES INSTRUCTIONS :** Lisez et observez toutes les instructions. Conservez ces instructions dans un endroit sécuritaire pour vous y référer ultérieurement. Ne permettez pas à quiconque n'ayant pas lu les présentes instructions d'assembler, d'allumer, de régler ou de faire fonctionner l'appareil.



## AVERTISSEMENT :

N'UTILISEZ QUE LES PIÈCES DE REMPLACEMENT DU FABRICANT. L'UTILISATION D'AUTRES PIÈCES RISQUE DE CAUSER DES BLESSURES ET LA MORT. LES PIÈCES DE REMPLACEMENT NE SONT OFFERTES QUE PAR LE FABRICANT ET DOIVENT ÊTRE INSTALLÉES PAR UNE ENTREPRISE SPÉCIALISÉE.

## INFORMATIONS SUR LA COMMANDE DE PIÈCES :

**ACHAT :** Les accessoires peuvent être achetés chez n'importe quel revendeur local Heatstar by Enerco ou directement à l'usine

### POUR OBTENIR DES INFORMATIONS SUR LE SERVICE

Appelez sans frais au 866-447-2194 • [www.heatstarbyenerco.com](http://www.heatstarbyenerco.com)

Nos heures d'ouverture sont de 8 h 00 à 17 h HE, du lundi au vendredi.

Veuillez indiquer le numéro du modèle, la date d'achat et la description du problème dans toutes vos communications avec nous.

## GARANTIE LIMITÉE

L'entreprise garantit ce produit contre tout défaut de matériel ou de main-d'œuvre, dans des conditions d'utilisation normale et adéquate, conformément aux instructions de l'entreprise, pour une période de deux ans à compter de la date de livraison à l'acheteur. L'entreprise réparera ou remplacera, à sa discrétion, les produits retournés port payé par l'acheteur au fabricant dans la période de deux ans et jugés par l'entreprise comme présentant des défauts de matériel ou de main-d'œuvre.

Si une pièce est endommagée ou manquante, téléphonez à notre service de soutien technique au 866-447-2194.

Adressez toute réclamation relative à la garantie à Service Department, Enerco Group, Inc. 4560 W. 160th St., Cleveland, Ohio 44135 États-Unis. Indiquez vos nom, adresse et numéro de téléphone ainsi que les détails de la réclamation. Indiquez-nous également la date d'achat et le nom et l'adresse du détaillant de qui vous avez acheté le produit.

Ce qui est énoncé ci-dessus constitue la responsabilité totale de l'entreprise. Il n'existe aucune autre garantie, expresse ou tacite. Plus précisément, il n'y a aucune garantie concernant l'adéquation à une utilisation particulière ni aucune garantie concernant la qualité marchande. En aucun cas l'entreprise ne saura être tenue responsable des retards causés par des déficiences, ni des dommages indirects, ni des dépenses encourues sans son consentement écrit, quelle que soit leur nature. Le coût de la réparation ou du remplacement sera le seul recours possible en cas de violation de garantie. Il n'y a aucune garantie contre une transgression de ce genre ni aucune garantie tacite découlant des usages du commerce ou de la façon habituelle d'échanger. La présente garantie ne s'applique à aucun produit qui a été réparé ou modifié par d'autres que le fabricant si cela influe de quelque façon que ce soit sur la condition de l'appareil ou son fonctionnement, selon notre jugement.

Certains États ou provinces ne permettent pas d'exclure ou de limiter les dommages indirects ou subséquents. Par conséquent, les limitations ou exclusions ci-dessus mentionnées ne vous concernent peut-être pas. La présente garantie vous accorde des droits juridiques précis, mais vous pourriez avoir d'autres droits qui varient selon la province ou l'État.

Enerco Group, Inc. se réserve le droit d'effectuer des modifications en tout temps, sans préavis ni obligation, aux couleurs, aux spécifications, aux accessoires, aux matériaux et aux modèles.

**ENREGISTREMENT DU PRODUIT :** Nous vous remercions de votre achat. Veuillez vous connecter à <http://www.egiregistration.com> pour enregistrer votre produit.



**Intertek**

Enerco Group, Inc., 4560 W. 160TH ST., CLEVELAND, OHIO 44135 • 866-447-2194  
© 2025, Enerco Group, Inc. Tous droits réservés

**¡NUNCA DEJE EL CALENTADOR DESATENDIDO MIENTRAS SE QUEMA!**

# INSTRUCCIONES DE USO Y MANUAL DEL USUARIO



**Calentador DE PROPANO A AIRE FORZAD O PARA CONSTRUCCIÓN**  
Con NUEVA TECNOLOGÍA QUEMADOR TRANQUILA

Modelo #

MH38QFA

**LEA CUIDADOSAMENTE LAS INSTRUCCIONES:** lea y siga todas las instrucciones. Consérvelas en un lugar seguro para futura referencia. No permita que nadie que no haya leído estas instrucciones arme, encienda, ajuste o use el calentador.



**IDIOMAS INCLUIDO:**

- INGLÉS
- FRANCÉS
- ESPAÑOL

**ADVERTENCIA:** Si no se siguen al pie de la letra las instrucciones de este manual, podría producirse un incendio o una explosión que provocaría daños materiales, lesiones o muertes.

- No almacene ni utilice gasolina ni ningún otro vapor ni líquido inflamable cerca de este ni de ningún otro artefacto.
- Los cilindros LP que no estén conectados al calentador no deben almacenarse cerca de este ni de ningún otro artefacto.
- QUÉ HACER SI DETECTA OLOR A GAS
  - No intente encender el artefacto.
  - Apague todas las llamas expuestas.
  - Corte el suministro de gas al artefacto.
- El mantenimiento debe ser realizado por una agencia de reparación calificada.

Este calentador portátil a gas no tiene una fuente propia de ventilación. Utiliza el aire (oxígeno) del área en la cual se emplea. Debe suministrarse el aire necesario para la ventilación y la combustión. Consulte la página 3.

**⚠ ADVERTENCIA:**

SU SEGURIDAD ES IMPORTANTE PARA USTED Y PARA LOS DEMÁS. POR ELLO, LEA ESTAS INSTRUCCIONES ANTES DE UTILIZAR EL CALENTADOR.

**⚠ ADVERTENCIA GENERAL DE PELIGRO:**

EL NO CUMPLIR CON LAS PRECAUCIONES E INSTRUCCIONES QUE VIENEN CON ESTE CALENTADOR PUEDE CAUSAR LA MUERTE, LESIONES GRAVES Y PÉRDIDAS Y DAÑOS MATERIALES DERIVADOS DEL PELIGRO DE INCENDIO, EXPLOSIÓN, QUEMADURAS, ASFIXIA, ENVENENAMIENTO CON MONÓXIDO DE CARBONO Y/O DESCARGAS ELÉCTRICAS. SOLO LAS PERSONAS QUE ENTIENDAN Y PUEDAN SEGUIR LAS INSTRUCCIONES DEBEN USAR O MANTENER ESTE CALENTADOR. SI NECESITA AYUDA O INFORMACIÓN ACERCA DEL CALENTADOR, COMO MANUALES DE INSTRUCCIONES, ETIQUETAS, ETC., PÓNGASE EN CONTACTO CON EL FABRICANTE.

**⚠ ADVERTENCIA: EL MONOXIDO DE CARBONO PUEDE MATARLO**

NO PARA USO DE VEHÍCULOS CASEROS O RECREATIVOS, USANDO UN CALENTADOR PORTÁTIL EN UN ÁREA CERCANA PUEDE PRODUCIR MONÓXIDO DE CARBONO MORTAL.

**⚠ ADVERTENCIA:**

PELIGRO DE INCENDIO, QUEMADURAS, INHALACIÓN Y EXPLOSIÓN. MANTENGA LOS COMBUSTIBLES SÓLIDOS COMO MATERIALES DE CONSTRUCCIÓN, PAPEL O CARTÓN A UNA DISTANCIA SEGURA DEL CALENTADOR TAL COMO LO RECOMIENDAN LAS INSTRUCCIONES. NUNCA USE EL CALENTADOR EN ESPACIOS QUE CONTIENEN O PODRÍAN CONTENER COMBUSTIBLES VOLÁTILES O PRODUCTOS COMO GASOLINA, SOLVENTES, DILUYENTE DE PINTURA O PRODUCTOS QUÍMICOS DESCONOCIDOS.

**⚠ ADVERTENCIA:** LOS COMBUSTIBLES USADOS EN EQUIPOS PARA LICUAR GAS PROPANO, ASÍ COMO LOS PRODUCTOS DE SU COMBUSTIÓN, PUEDEN EXPONERTE A SUSTANCIAS QUÍMICAS, ENTRE ELLAS EL BENCENO, QUE EL ESTADO DE CALIFORNIA RECONOCE COMO CAUSA DE CÁNCER Y DE MALFORMACIONES CONGÉNITAS Y OTROS DAÑOS AL SISTEMA REPRODUCTOR. PARA MÁS INFORMACIÓN, WWW.P65WARNINGS.CA.GOV

**⚠ ADVERTENCIA:** ESTE PRODUCTO PUEDE EXPONERLE A PLOMO Y COMPUESTOS DE PLOMO, QUE ES CONOCIDO (A) POR EL ESTADO DE CALIFORNIA COMO CAUSANTE DE CÁNCER. LÁVESE LAS MANOS DESPUÉS DE MANIPULAR ESTE PRODUCTO. PARA MAYOR INFORMACIÓN, VISITE WWW.P65WARNINGS.CA.GOV.

**CONTENIDOS**

ESPECIFICACIONES DEL CALENTADOR ..... 2  
ADVERTENCIAS..... 2  
PRECAUCIONES DE UTILIZACIÓN ..... 3  
PRECAUCIONES DE SEGURIDAD..... 3  
ADVERTENCIA DE DISIPACIÓN DEL OLOR..... 4  
INSTRUCCIONES DE USO ..... 5  
REPARACIÓN ..... 5  
PIEZAS ..... 6  
TAMAÑO Y CAPACIDAD DEL GRÁFICO DE PROPANO ..... 7  
GRÁFICO DE BTU REQUERIDOS ..... 7  
GARANTÍA..... 8  
INSTRUCCIONES PARA ORDENAR REPUESTOS ..... 8

**ESPECIFICACIONES**

Tipo de gas:..... Para usar únicamente con gas propano  
Presión del suministro de gas de entrada al regulador..... Máx.: 1380 kPa (200 psi)  
Mín.: 137,9 kPa (20 psi)  
de salida al regulador..... 137.9 kPa (20" WC)  
Entrada de corriente: ..... 115 V, 60 Hz, 1Ø, 3a  
Voltaje de operación mínimo: 100 V  
Encendido:..... Manual, encendido piezo  
Control primario de la llama:..... Válvula de gas operada por termocupla  
Control de alta temperatura:.. 116 °C (240 °F)  
Temperatura ambiente mínima Especificaciones -17,8 °C (0 °F)  
**Modelo:..... 38QFA**  
Especificación: ..... 11,14 kW (38.000 BTU/hr)  
Consumo de combustible: ..... 0,72 kg/hr (1,6 #/hr)

## PRECAUCIONES DE UTILIZACIÓN

Este artefacto es un calentador de propano de caldeo directo a aire forzado. Está diseñado principalmente para calefaccionar edificios en construcción, remodelación o reparación.

El propano es más pesado que el aire. Cuando el propano escapa de una conexión o acople, desciende hacia el piso y se acumula allí con el aire circundante, y forma una mezcla potencialmente explosiva. Obviamente, las fugas de propano deben evitarse, así que debe establecer la conexión del suministro de propano con extremo cuidado. Lea el documento adjunto "Propano y disipación del olor" para obtener más información sobre la detección de fugas de propano. Realice una comprobación de fugas utilizando una solución de agua jabonosa siempre que establezca una nueva conexión o realice una reconexión, y siga todas las instrucciones de conexión incluidas en este documento. Además, solicite asesoramiento del proveedor de propano acerca de la aplicación e instalación del suministro de propano, y pídale que realice una revisión si tuviera alguna duda.

Este calentador fue diseñado y certificado para ser utilizado como un calentador para sitios de construcción de acuerdo con el estándar ANSI Z83.7/CGA 2.14. Consulte con la autoridad de seguridad antiincendios si tiene alguna pregunta sobre sus aplicaciones. Hay otros estándares que rigen el uso de gases combustibles y productos que producen calor en aplicaciones específicas. La autoridad local podrá asesorarlo al respecto.

De caldeo directo quiere decir que todos los productos de la combustión ingresan al espacio que se calefacciona. Aunque este calentador funciona casi a un 100 % de eficiencia de combustión, produce pequeñas cantidades de monóxido de carbono. El monóxido de carbono (CO) es tóxico. Podemos tolerar pequeñas cantidades, pero no grandes cantidades. El CO puede acumularse en el lugar que se calienta y si no se establecen las condiciones de ventilación adecuadas puede resultar mortal. Los síntomas de ventilación inadecuada son:

- dolor de cabeza
- mareos
- ardor en los ojos y en la nariz
- náuseas
- boca reseca o dolor de garganta

Por tanto, asegúrese de seguir las recomendaciones sobre las condiciones de ventilación que se incluyen en estas instrucciones de uso.

Aire forzado significa que un soplador o ventilador impulsa el aire a través del calentador. La combustión depende de este flujo de aire para realizarse correctamente, por tanto, el calentador no debe modificarse, alterarse ni utilizarse si se le han sustraído o le faltan piezas. Asimismo, no se deben alterar ni modificar los sistemas de seguridad para utilizar el calentador.

Cuando deba utilizarse el calentador en presencia de otras personas, el usuario será responsable de poner a los presentes al corriente de las precauciones e instrucciones de seguridad, y de los posibles peligros.

## PRECAUCIONES DE SEGURIDAD

1. Revise cuidadosamente si el calentador presenta daños. NO use un calentador dañado.
2. **NO** modifique el calentador ni lo use si su configuración original ha sido modificada.
3. Utilice únicamente gas propano.
4. Utilice únicamente suministro de propano con RECUPERACIÓN DE VAPOR. Si tiene alguna pregunta sobre la recuperación de vapor, consulte al proveedor de propano.
5. Monte los cilindros de propano verticalmente (válvula hacia arriba). Asegúrelos para que no caigan ni sean arrojados al piso y protéjalos de daños.
6. Ubique los envases de propano por lo menos a 2,13 m (7 pies) (EE. UU.) o a 3 m (10 pies) (Canadá) del calentador y **no** apunte el escape hacia ellos.
7. **IMPORTANTE:** Use únicamente la manguera y el regulador que vienen con el calentador. Haga coincidir la franja de color de la etiqueta colgante que se encuentra en el acople de la manguera con el color de la etiqueta situada cerca del acople de entrada del propano en el calentador. Inspeccione siempre el conjunto de la manguera antes de utilizar el calentador. Si estuviera excesivamente estropeado o desgastado, o si presentara cortaduras, reemplácelo por uno de los que se especifica en la lista de piezas antes de utilizar el calentador.
8. Solo para uso en interiores. El área debe estar bien ventilada. Procure que haya espacios mínimos de 0,046 m<sup>2</sup> (1/2 pie cuadrado) cerca del piso y 0,046 m<sup>2</sup> (1/2 pie cuadrado) cerca del cielorraso (consulte también la sección "Precauciones de utilización").
9. Si detectara olor a gas en algún momento, **INTERRUMPA INMEDIATAMENTE** la utilización del equipo hasta que haya sido detectada y corregida la fuente de gas. Lea el documento adjunto "Propano y disipación del olor" para obtener más información sobre la detección de fugas de propano.
10. El calentador debe instalarse de manera tal que no quede expuesto directamente a las salpicaduras de agua, lluvia o goteo de agua.
11. Mantenga distancias mínimas de materiales combustibles normales (como el papel) según se indica a continuación. Piso: 0 m (0 pies); salida: 1,83 m (6 pies); laterales: 0,61 m (2 pies); cubierta: 1,83 m (6 pies). Colóquelo a 3 m (10 pies) de lonas o cubiertas de protección plásticas o cubiertas similares y asegúrelas para evitar que ondeen o se muevan por la acción del viento.
12. Dadas las elevadas temperaturas de la superficie y del escape, tanto los adultos como los niños deben mantener la distancia adecuada para evitar quemaduras o la ignición de su ropa.
13. Úselo únicamente sobre una superficie nivelada y estable.
14. No lo utilice en redes de conductos. No restrinja las entradas ni las salidas.
15. Utilice únicamente la alimentación de corriente especificada. La conexión eléctrica y a tierra debe cumplir con los requisitos del Código Eléctrico Nacional - ANSI/NFPA 70 (EE.UU.) y del Código Eléctrico Canadiense CSA C22. 1, Primera parte (Canadá).
16. Utilice únicamente un cable de extensión (mínimo 1,83 m [6 pies] de longitud) o un receptáculo de tres patas correctamente conectado a tierra.
17. No lo mueva, manipule ni ajuste mientras esté caliente o encendido.
18. Utilice únicamente de acuerdo con los códigos locales o, en la ausencia estos, de acuerdo con los Estándares ANSI/NFPA 58 y CSA B149.1 para almacenamiento y manipulación de gases licuados del petróleo del Código de instalación de propano y gas natural.

## ADVERTENCIA DE DISIPACIÓN DEL OLOR

### ADVERTENCIA

#### Peligro de asfixia

- No utilice este calentador para calefaccionar locales habitados por personas.
- No lo utilice en áreas sin ventilación.
- No obstruya el flujo de aire necesario para la combustión y la ventilación.
- Deberá suministrar la ventilación adecuada para garantizar que el calentador disponga del aire que necesita para la combustión.
- Consulte la sección de especificaciones del manual del calentador, la placa del calentador o póngase en contacto con el fabricante para conocer los requerimientos de ventilación del calentador.
- Si la ventilación no es la adecuada, la combustión no se llevará a cabo correctamente.
- Una combustión inadecuada puede producir envenenamiento con monóxido de carbono con graves daños para la salud, o causar la muerte. Los síntomas de envenenamiento con monóxido de carbono incluyen dolores de cabeza, mareos y dificultad para respirar.

## OLOR A GAS COMBUSTIBLE

Los gases LP y el gas natural contienen sustancias aromáticas artificiales -añadidas específicamente para facilitar la detección de fugas de gas.

Si se produjera una fuga de gas, usted debe poder oler el gas combustible. Dado que el propano (LP) es más pesado que el aire, debe tratar de detectar el olor lo más cerca del piso posible. CUALQUIER OLOR A GAS SERÁ LA SEÑAL PARA TOMAR MEDIDAS INMEDIATAMENTE.

- No haga nada que pudiera inflamar el gas combustible. No active ningún interruptor eléctrico. No desconecte ninguna toma de corriente ni cables de extensión. No encienda fósforos ni ninguna otra fuente de llamas. No utilice el teléfono.
- Saque a todas las personas del edificio y aléjelas del área inmediatamente.
- Cierre todas las válvulas de suministro de combustible de los cilindros o del tanque de gas propano (LP), o la válvula principal de suministro de combustible que se encuentra en el medidor si emplea gas natural.
- El gas propano (LP) es más pesado que el aire y puede asentarse en áreas bajas. Cuando sospeche que puede haber una fuga de propano, manténgase alejado de las áreas bajas.
- Utilice el teléfono de su vecino y llame al proveedor de gas y al departamento de bomberos. No vuelva a entrar al edificio ni se acerque al área.
- Manténgase alejado del edificio y del área hasta que los bomberos y el proveedor de gas hayan declarado que no hay peligro.
- POR ÚLTIMO, permita que la persona del servicio de gas y los bomberos revisen si hay fugas de gas. Haga que ventilen el edificio y el área antes de su regreso. Un agente de servicios calificado debe reparar cualquier fuga, revisar si hay otras fugas y volver a encender el artefacto por usted.

## DISIPACIÓN DEL OLOR- NO SE DETECTA NINGÚN OLOR

- Algunas personas tienen problemas de olfato. Algunos no pueden detectar el olor del químico artificial -añadido al propano (LP) o al gas natural. Debe determinar si es capaz de oler la sustancia aromática que contienen estos gases combustibles.
- Aprenda a reconocer el olor del gas propano (LP) y del gas natural. Los distribuidores locales de propano (LP) le darán con gusto un panfleto con muestras de olores. Utilícelo para familiarizarse con el olor del gas combustible.
- El hábito de fumar puede disminuir el sentido del olfato. Exponerse a un olor durante un período puede afectar su sensibilidad a ese olor específico. Los olores presentes en instalaciones donde se crían animales pueden enmascarar el olor del gas combustible.
- **La sustancia aromática presente en el gas propano (LP) y en el gas natural es incolora y la intensidad de su olor puede desvanecerse en algunas circunstancias.**
- Si hay una fuga subterránea, el recorrido del gas a través del suelo puede filtrar esta sustancia aromática.
- El aroma del gas propano (LP) puede variar en intensidad a diferentes niveles. Dado que el gas propano (LP) es más pesado que el aire, el olor puede ser más intenso en los niveles más bajos.
- **Manténgase siempre alerta al más mínimo olor a gas.** Si continúa percibiendo el olor a gas, no importa cuán poco sea, proceda como si fuera una fuga grave. Tome medidas de inmediato como se explicó anteriormente.

## ATENCIÓN - PUNTOS IMPORTANTES PARA RECORDAR

- El gas propano (LP) tiene un olor característico. Aprenda a reconocer estos olores. (Consulte las secciones "Olor a gas combustible" y "Disipación del olor").
- Aunque usted no esté capacitado para dar mantenimiento y reparar el calentador, SIEMPRE esté atento a los olores del gas propano (LP) y del gas natural.
- Si no ha recibido capacitación para reparar y dar mantenimiento a equipos que emplean gas propano (LP), no intente encender el calentador, darle mantenimiento o repararlo, ni hacer ningún ajuste al calentador en el sistema de combustible de gas propano (LP).
- Una prueba olfativa periódica en las proximidades del calentador o en sus conexiones, por ejemplo, en la manguera, los acoples, etc., es una buena costumbre en todo momento. Si huele la más mínima cantidad de gas, PÓNGASE EN CONTACTO CON EL PROVEEDOR DE GAS INMEDIATAMENTE. ¡NO ESPERE!

## INSTRUCCIONES DE USO

### PREPARATIVOS PARA EL USO

1. Revise el calentador para determinar si sufrió daños durante el envío. Si encontrara alguno, notifíquelo inmediatamente a la fábrica.
2. Siga todas las "Precauciones".
3. Conecte el acople POL de la manguera y el conjunto del regulador al cilindro de propano rotando la tuerca POL hacia la izquierda dentro de la válvula de salida del cilindro de propano y ajústela con una llave.
4. Conecte la manguera al calentador rotando el acople de la manguera hacia la derecha.
5. Asegure bien todas las conexiones de gas.
6. Abra la válvula de gas del cilindro y compruebe todas las conexiones de gas con una solución de agua jabonosa. NO UTILICE LLAMAS.
7. Conecte el cable de alimentación a una fuente de alimentación de 115 V, 60 Hz, 1Ø con la conexión a tierra adecuada.
8. Cuando use un cable de extensión, asegúrese de que sea de 3 cables (con conexión a tierra) y que tenga el tamaño adecuado, como mínimo 1,83 m (6 pies).

### ENCENDIDO

1. **EL CABLE DE ALIMENTACIÓN DEL CALENTADOR DEBE ESTAR CONECTADO A UNA FUENTE DE ALIMENTACIÓN DE 115 V, 60 HZ, 1Ø CON CONEXIÓN A TIERRA ANTES DE ENCENDERLO.** Siempre deje funcionar el ventilador del calentador (soplador) durante 20 segundos para purgar el combustible.
2. Abra lentamente la llave de paso del gas en el tanque. Nota: Si no la abre lentamente, la válvula de control de exceso de flujo del tanque de propano interrumpirá el flujo del gas. Si esto sucede, cierre la llave de paso y vuelva a abrirla lentamente. Espere 15 segundos antes de continuar con el Paso 3.
3. Oprima y mantenga presionado el botón de la válvula de control automático. Oprima el botón del encendedor piezo repetidamente hasta que se encienda el quemador.
4. Luego de que se encienda el quemador, mantenga presionado el botón de la válvula de gas durante 30 segundos y luego suéltelo; el calentador continuará funcionando.

**ADVERTENCIA:** Verifique que el motor y el ventilador estén funcionando antes de presionar el botón de la válvula de control automático. Si el motor y el ventilador no están funcionando, podrían escapar llamas del calentador o producirse daños internos en el calentador.

### APAGADO

1. Cierre firmemente la válvula del cilindro de propano.
2. Continúe usando el calentador hasta que todo el combustible de la manguera se haya quemado.
3. Desenchufe el cable de alimentación.

**CUIDADO:** cierre siempre el suministro de combustible antes de desconectar la energía eléctrica.

### REINICIO LUEGO DEL APAGADO DE SEGURIDAD

1. Cierre firmemente la válvula del cilindro de propano. Desenchufe el cable de alimentación.
2. Espere 5 minutos.
3. Reinicie según se indica en la sección sobre el procedimiento de "ENCENDIDO".

## MANTENIMIENTO Y ALMACENAMIENTO

1. Debe inspeccionar el calentador antes de cada uso y hacerlo revisar por una persona calificada una vez por año.
2. Antes de cada uso, revise siempre el asiento del anillo "O" de goma que se encuentra en el extremo del acople del POL. Si el anillo "O" presenta cortes, raspaduras o cualquier otro daño, reemplácelo por la pieza número 6681.
3. Cierre la salida de gas en el cilindro o los cilindros de suministro de gas LP cuando no esté utilizando el calentador.
4. Cuando deba guardar el calentador en un lugar cerrado, deberá desconectar la conexión entre el cilindro o los cilindros de suministro de gas LP y el calentador, y deberá retirarlos del calentador y guardarlos en un lugar al aire libre, como se especifica en el Capítulo 5 de los estándares ANSI/NFPA 58 y CSA B149.1 para almacenamiento y manipulación de gases del petróleo líquido del Código de instalación de propano y gas natural.

## REPARACIÓN

Se puede producir una situación de riesgo si se utiliza un calentador cuya configuración original haya sido modificada o si no está funcionando correctamente. Cuando el calentador funciona correctamente:

- \* La llama arde en el interior del calentador.
- \* La llama es fundamentalmente azul y puede tener algunas terminaciones amarillas.
- \* No se percibe un olor desagradable fuerte, no arden los ojos y no hay ningún otro tipo de incomodidad física.
- \* No hay humo ni hollín dentro ni fuera del calentador.
- \* El calentador no se apaga inesperadamente o inexplicablemente.

Las listas de piezas y el diagrama extendido muestran la configuración original del calentador. No utilice un calentador que sea diferente del que se muestra. En este sentido, utilice únicamente la manguera, el regulador y el acople de conexión (denominado acople POL) suministrados con el calentador. **IMPORTANTE:** Haga coincidir la franja de color de la etiqueta colgante que se encuentra en el conjunto de la manguera con el color de la etiqueta situada cerca del acople de entrada del propano en el calentador. No utilice partes alternativas. Para este calentador, el regulador debe estar instalado como se muestra en la sección "Especificaciones". Si hay alguna duda acerca de la instalación del regulador, haga que lo revisen.

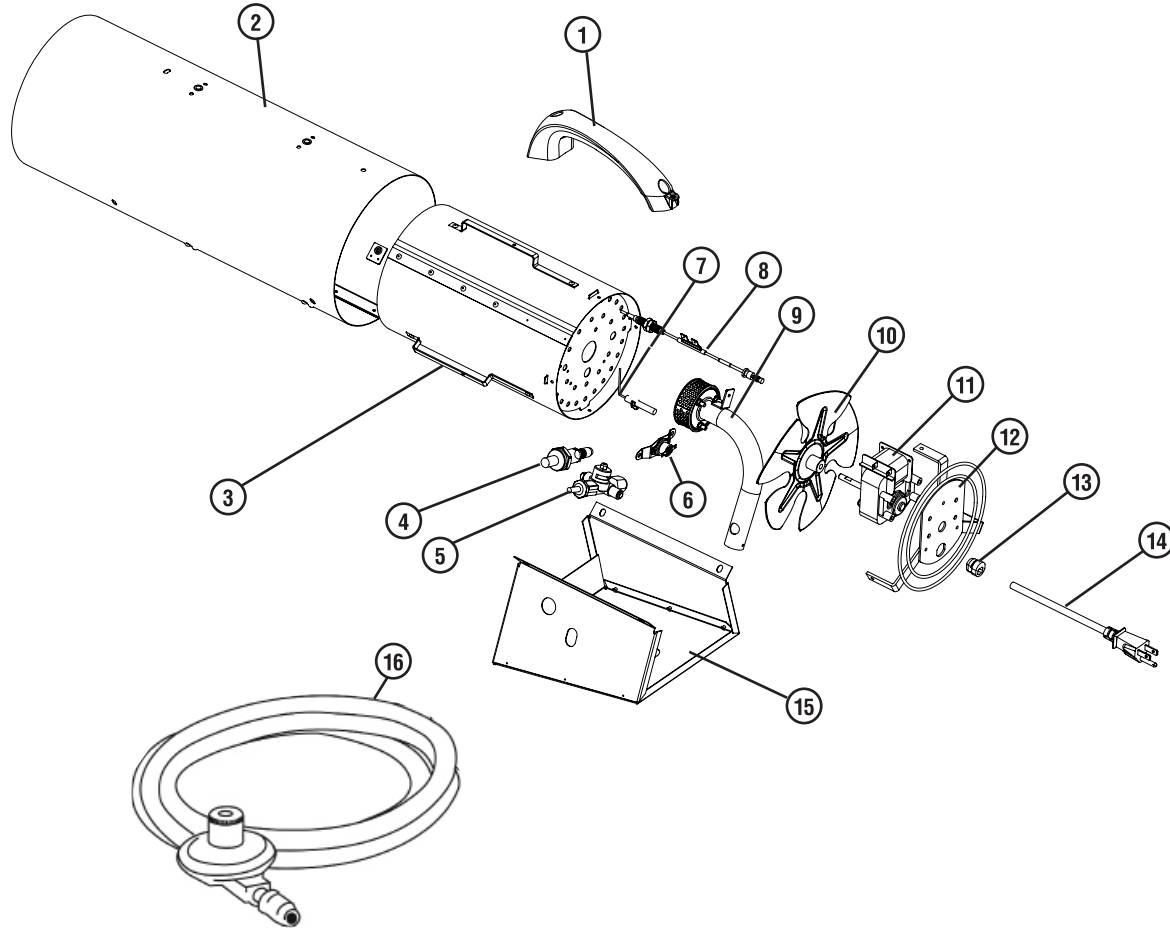
Si un calentador no funciona correctamente debe ser reparado, pero solo por un técnico de mantenimiento capacitado y experimentado.

Para los productos en garantía, la reparación se realizará sin costos de piezas ni mano de obra. Incluya una breve declaración indicando la fecha y el lugar de compra, la naturaleza del problema y el comprobante de compra.

La reparación de los productos que se encuentren fuera del período de garantía incluirá los costos de piezas y mano de obra.

# ¡NUNCA DEJE EL CALENTADOR DESATENDIDO MIENTRAS SE QUEMA!

## Calentador de propano a aire forzado para construcción • Modelo # 38QFA



REF.#	ITEM#	DESCRIPTION	QTY.	REF.#	ITEM#	DESCRIPTION	QTY.
1	27925	Mango, Transporte	1	13	26223	Cojinete de Liberacion de Tension	1
2	27406	Tangue Assemblage	4	14	22113	Conjunto de Cable de Alimentacion	1
3	27437	Proteccion, Radiacion	1	15	27442	Base, Conjunto	1
4	26473	Piezo	1	16	27494M	Manguera y Regulador	1
5	27438	Valvula, Gas Conj.	1				
6	27439	Interruptor, Maximo, Limitador	1				
7	28080	Electrodo	1				
8	28082	Termocupla, Conj.	1				
9	27440	Quemador, Conj., Principal	1				
10	28077	Ventilador	1				
11	28076	Conjunto, del Motor	1				
12	27441	Rejilla, Montaje de Entrada/Motor	1				

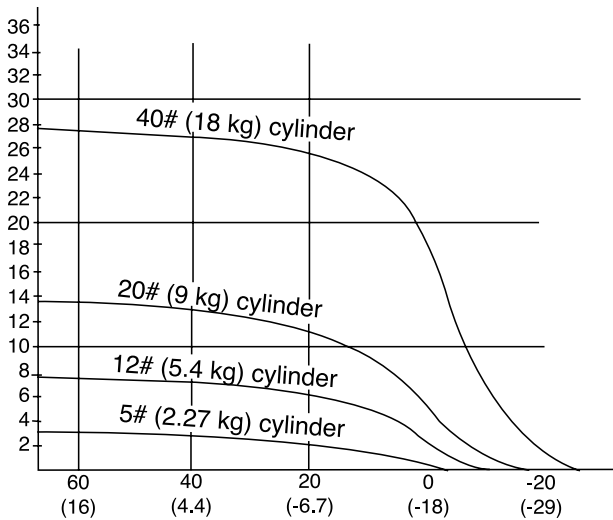
## TAMAÑO Y CAPACIDAD DE LOS CILINDROS DE PROPANO NECESARIOS

Los gráficos siguientes muestran el tamaño aproximado del cilindro que necesitan estos calentadores. Para utilizar el gráfico:

1. Seleccione la temperatura de aire mínima esperada (parte inferior del gráfico).
2. Ascienda en la vertical hasta encontrar el tiempo de funcionamiento deseado (a la izquierda del gráfico).
3. Lea el tamaño de cilindro requerido.

Todos los calentadores deben tener: cilindros llenos  
buena circulación de aire  
cilindros sin escarcha

### TIEMPO (HORAS)



## REQUISITOS DE BTU POR HORA

REQUISITOS DE BTU POR HORA				
Volumen del lugar para calefaccionar (pies cúbicos)	Incremento de temperatura requerido (° F)*			
	20°	30°	40°	50°
5,000	14,000	20,000	27,999	34,000
7,000	19,000	28,000	38,000	47,000
10,000	27,000	40,000	54,000	67,000
15,000	40,000	60,000	80,000	100,000
20,000	54,000	80,000	107,000	133,000
30,000	80,000	120,000	160,000	200,000
50,000	133,000	200,000	266,000	333,000

### GARANTÍA

Nos complace que haya seleccionado nuestro producto y aprovechamos la oportunidad para garantizarle que, de necesitarlas, hay instalaciones de servicios especializados a su disposición. Con la cooperación de agentes independientes, se encuentra disponible en todo el país una red de proveedores de servicios de reparación autorizados para atender sus necesidades de reparación.

Si su producto necesitara mantenimiento, lea la sección del manual titulada "Mantenimiento".

¿A quién le corresponde la garantía? La garantía se limita al consumidor que realizó la compra original del producto.

¿Qué cubre? Esta garantía limitada cubre todas las deficiencias materiales y de fabricación.

¿Qué no cubre? Esta garantía limitada no cubre daños derivados de accidentes, del uso indebido o abuso del equipo, falta de mantenimiento, incorporación de cualquier aditamento no suministrado con los productos o pérdida de piezas. EN NINGÚN CASO Mr. Heater TECHNICAL PRODUCTS SERÁ RESPONSABLE POR NINGÚN DAÑO ESPECIAL, ACCIDENTAL O CONSECUENTE, NI POR NINGÚN DAÑO DERIVADO DEL USO INDEBIDO O LA MODIFICACIÓN DE ESTE PRODUCTO.

**⚠ADVERTENCIA**

**Peligro para la calidad del aire**

- No utilice este calefactor para calentar viviendas de personas.
- El uso de calefactores a fuego directo en lugares de construcción puede causar una exposición a niveles de CO, CO<sub>2</sub> y NO<sub>2</sub> considerados como peligrosos para la salud y potencialmente letales.
- No lo utilice en áreas sin ventilación.
- Conozca los signos de envenenamiento por CO y CO<sub>2</sub>.
  - Dolor de cabeza, picazón en los ojos
  - Mareo, desorientación
  - Dificultad para respirar, sentirse sofocado
- Se debe proporcionar aire de ventilación exterior adecuado (OSHA 29 CFR 1926.57) como para mantener la combustión y una calidad de aire aceptable de acuerdo con la norma OSHA 29 CFR Parte 1926.154, con los requisitos de seguridad para dispositivos y equipos de calefacción temporarios y portátiles utilizados en la industria de la construcción (ANSI A10.10) o con las normas de instalación para gas natural y propano (CSA B149.1).
  - Controle periódicamente los niveles de CO, CO<sub>2</sub> y NO<sub>2</sub> presentes en el lugar de la construcción (como mínimo, al principio del turno de trabajo y luego de 4 horas).
  - Proporcione aire de ventilación exterior, ya sea de forma natural o mecánica, como sea necesario para mantener una calidad aceptable del aire interior.

	EE.UU.: Promedio ponderado de 8 horas (OSHA 29 CFR 1926.55 App A)	Canadá: Promedio ponderado de 8 horas Recomendaciones WorkSafe BC OHS Parte 5.1 y Reglamentaciones para lugares de trabajo de Ontario 833
CO	50 partes por millón	25 partes por millón
CO <sub>2</sub>	5000 partes por millón	5000 partes por millón
NO <sub>2</sub>		3 partes por millón (Reg 833)
	EE.UU.: Límite superior (Límite de exposición por corto tiempo = 15 minutos)	Canadá: STEL (15 minutos Reglamentación 833/1 hora WSBC) Recomendaciones WorkSafe BC OHS Parte 5.1 y Reglamentaciones para lugares de trabajo de Ontario 833
CO		100 partes por millón
CO <sub>2</sub>		15000 partes por millón (WSBC) 30000 partes por millón (Reg 833)
NO <sub>2</sub>	5 partes por millón	1.0 partes por millón (WorkSafeBC) 5.0 partes por millón (Reg 833)

- Asegúrese de que no obstruya el flujo de aire necesario para la combustión y para el aire de ventilación.
- A medida que el edificio se vuelve "más cerrado" durante las etapas de construcción, podría ser necesario aumentar la ventilación.

La instalación de este artefacto a alturas de más de 2000 pies (610 m) debe realizarse de acuerdo con las normas locales, y en caso de no existir, de acuerdo con la norma nacional para gas combustible (ANSI Z223.1/NFPA 54), con las normas nacionales de Canadá o con las normas de instalación para gas natural y propano (CSA B149.1)

El calefactor se envió desde la fábrica configurado para funcionar con gas propano.

THIS PAGE INTENTIONALLY LEFT BLANK  
ESTA PÁGINA INTENCIONALMENTE SE DEJA EN BLANCO  
CETTE PAGE A ÉTÉ INTENTIONNELLEMENT LAISSÉE VIERGE



# INSTRUCCIONES DE USO Y MANUAL DEL USUARIO

Modelo #

MH38QFA

**LEA CUIDADOSAMENTE LAS INSTRUCCIONES:** lea y siga todas las instrucciones. Consérvelas en un lugar seguro para futura referencia. No permita que nadie que no haya leído estas instrucciones arme, encienda, ajuste o use el calentador.



## ADVERTENCIA:

USE SOLAMENTE REPUESTOS DEL FABRICANTE. EL USO DE CUALQUIER OTRA PIEZA PODRÍA CAUSAR HERIDAS O LA MUERTE. LOS REPUESTOS ESTÁN DISPONIBLES ÚNICAMENTE EN LA FÁBRICA Y DEBEN SER INSTALADOS POR UNA AGENCIA DE SERVICIO CALIFICADA.

## INFORMACIÓN PARA ORDENAR REPUESTOS:

**COMPRAS:** Los accesorios se pueden comprar en cualquier distribuidor local de Heatstar by Enerco o directamente en la fábrica.

### SI DESEA OBTENER INFORMACIÓN ACERCA DE REPARACIONES

Llame sin cargo al 866-447-2194 • [www.heatstarbyenerco.com](http://www.heatstarbyenerco.com)

Nuestro horario de trabajo es de 8:00 a. m. a 5:00 p. m., hora del este, de lunes a viernes. Incluya el número de modelo, la fecha de compra y la descripción del problema en todas sus comunicaciones.

## GARANTÍA LIMITADA

La compañía da garantías de que este producto está libre de imperfecciones materiales y de fabricación, bajo condiciones de uso normales y adecuadas de acuerdo con las instrucciones de la Compañía, por un período de dos años a partir de la fecha de entrega al comprador. La Compañía, según decida, reparará o reemplazará los productos que el comprador devuelva a la fábrica, con transportación prepagada en el plazo del mencionado período de dos años y que la Compañía determine que presentan imperfecciones materiales o de fabricación.

Si alguna de las piezas está dañada o si le falta alguna, llame al Departamento de Asistencia Técnica al 866-447-2194.

Dirija sus reclamos de garantía a la siguiente dirección: Service Department, Enerco Group, Inc. 4560 W. 160th St., Cleveland, Ohio 44135. Incluya su nombre, dirección y número telefónico en su comunicación e incluya los detalles relacionados con el reclamo. Además, infórmenos la fecha de la compra y el nombre y la dirección del proveedor de quien adquirió nuestro producto.

Lo anterior describe las responsabilidades de la Compañía en toda su extensión. No hay otras garantías, ni explícitas ni implícitas. Específicamente, no hay garantías acerca de la adecuación para un propósito particular y no hay garantías de comerciabilidad. En ningún caso la Compañía será responsable por demoras causadas por imperfecciones, por daños consecuentes, ni por ningún otro cargo de gastos de ninguna naturaleza realizados sin su consentimiento escrito. El costo de reparación o reemplazo será la única compensación por cualquier incumplimiento de la garantía. No hay garantía ni se derivará garantía implícita alguna del proceso de comercialización ni de las prácticas comerciales comunes. Esta garantía no será válida para productos que hayan sido reparados o alterados fuera de la fábrica en cualquier sentido que a nuestro criterio afecte su estado o funcionamiento.

Algunos estados no permiten la exclusión o limitación de daños incidentales ni consecuentes, así que la limitación o exclusión anterior puede no tener validez en su caso. Esta Garantía le otorga derechos legales específicos, y usted puede tener otros derechos que varían de un estado a otro.

Enerco Group, Inc. se reserva el derecho a hacer cambios en cualquier momento, sin previo aviso ni obligación, en los colores, las especificaciones, los accesorios, los materiales y los modelos.

**REGISTRO DEL PRODUCTO:** Gracias por su compra.

Inicie sesión en <http://www.egiregistration.com> para registrar su producto.

Enerco Group, Inc., 4560 W. 160TH ST., CLEVELAND, OHIO 44135 • 866-447-2194  
© 2025, Enerco Group, Inc. Tous droits réservés



**Intertek**