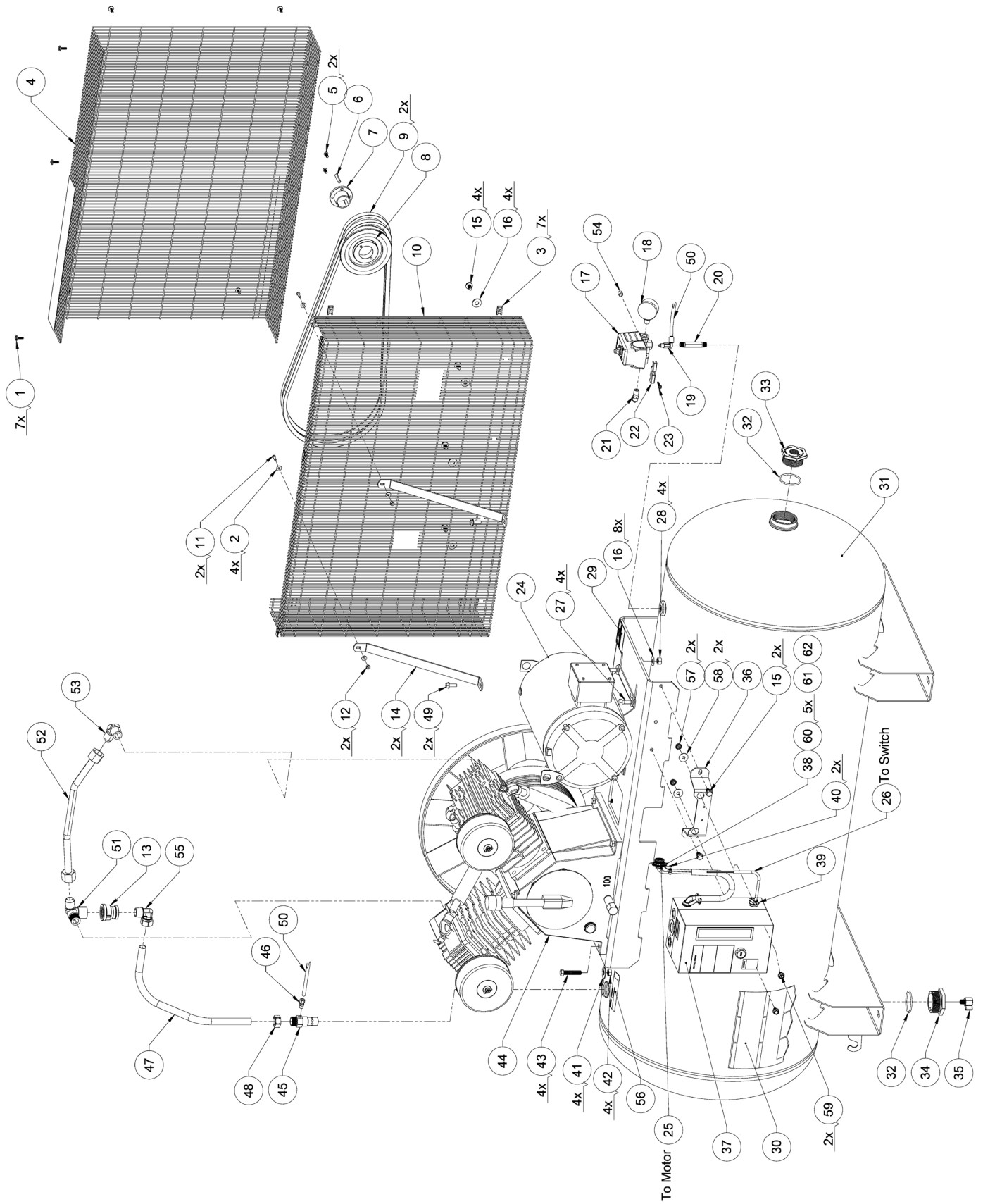


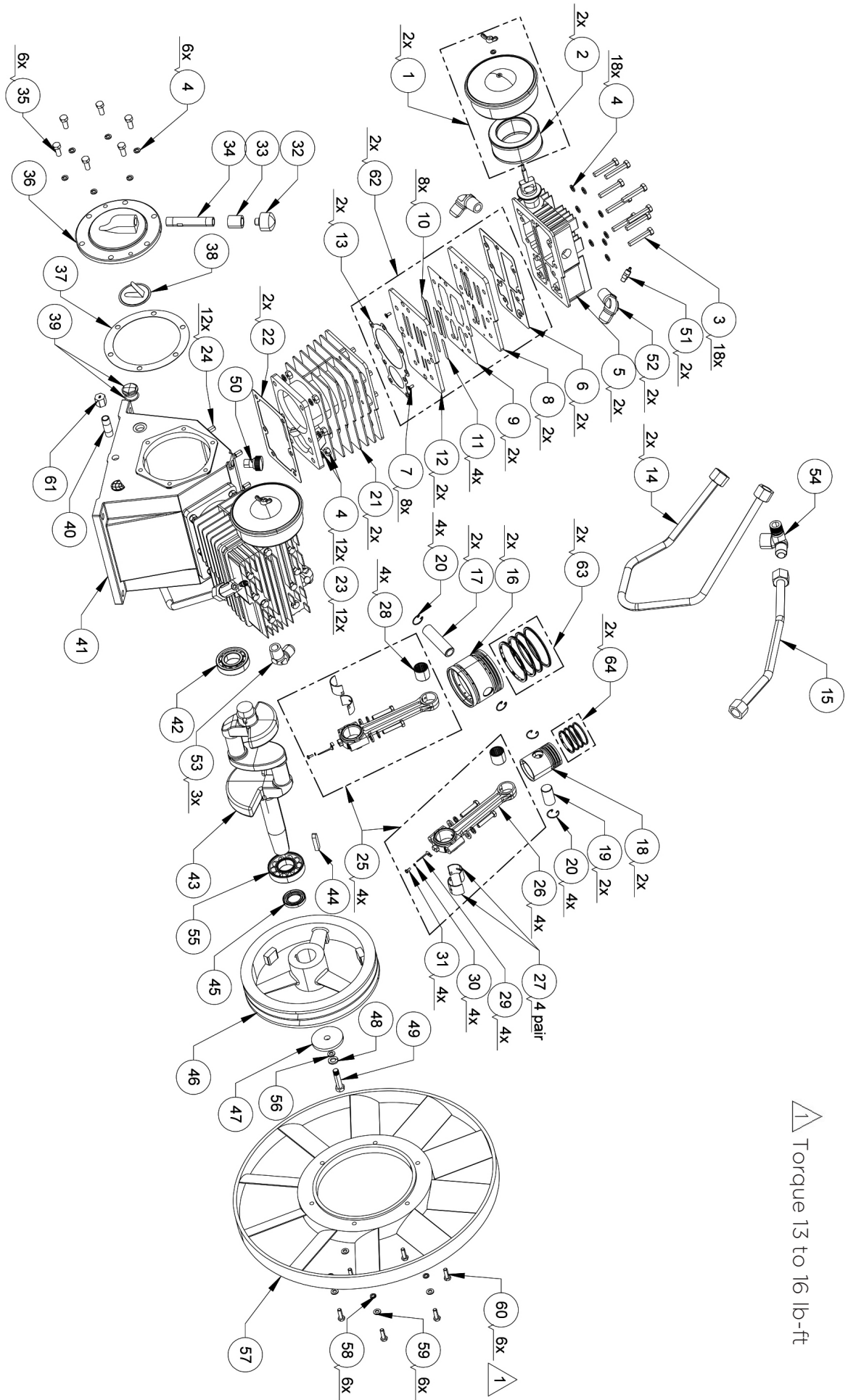
# PARTS BREAKDOWN



**PARTS LIST - COMPRESSOR**

<b>PART #</b>	<b>DESCRIPTION</b>	<b>QTY.</b>	<b>PART IDENTIFIER</b>
1	Screw, #10-14 x 3/4 in.	1	061-0152
2	Washer, #10	5	060-0146
3	U-nut, Spring M5 x 0.8	7	103-0205
4	Belt Guard (outer)	1	125-0226
5	Screw, 1/4 x 3/4 in. lg	2	N/A (Order item #7)
6	Key 5/16 x 3/16 x 1 1/4 in. lg	1	146-0007
7	Hub (includes item 5)	1	004-0002
8	Pulley	1	006-0161
9	V-belt, B64	2	008-0040
10	Belt Guard (inner)	1	125-0217
11	Screw, #10-32 x 3/4 in.	2	061-0212
12	Nut, 10-32	2	058-0158
13	Reducer Coupling, 1 x 3/4 in.	1	063-0045
14	Bracket, Belt Guard	2	114-0349
15	Bolt, Lock 3/8-16 x 3/4 in. lg	6	059-0164
16	Washer, 3/8 in.	12	060-0023
17	Switch, Pressure (includes items 19 & 22 to 23)	1	034-0199
18	Gauge, 300 PSI	1	032-0025
19	Valve, Bleeder	1	136-0090
20	Nipple, 1/4 in. NPT x 2 1/2 in. lg	1	065-0005
21	Valve, Relief, 200 PSI	1	136-0007
22	Strain Relief	1	071-0033
23	Screw	1	061-0216
24	Motor, 230V	1	160-0347
25	Cord, Interconnect 10/4 (to motor)	1	026-0189
26	Cord, Interconnect 14/3 (to switch)	1	026-0223
27	Bolt, 3/8 x 1 in. lg	4	059-1007
28	Nut, 3/8 in.	4	058-0009
29	Label, Warning	1	098-3031
30	Label, Warning	1	098-3870
31	Tank Assembly (includes items 32-35)	1	515-0358
32	O-ring 2 in.	2	513-0001
33	Bushing, 2 NPSM x 3/4 in. NPT	1	512-0043
34	Bushing, 2 NPSM x 1/4 in. NPT	1	512-0041
35	Petcock, 1/4 in. NPT	1	072-0019
36	Bracket	1	114-0849

<b>PART #</b>	<b>DESCRIPTION</b>	<b>QTY.</b>	<b>PART IDENTIFIER</b>
37	Magnetic Starter, 10 HP, 3 PH	1	001-0183
38	Washer, 1 in. to 3/4 in. Conduit Reducing	1	060-0232
39	Strain Relief, 3/8 in. Straight	1	071-0002
40	Strain Relief, 3/8 in. 90°	2	071-0003
41	Washer, 7/16 in.	4	060-0182
42	Nut, 7/16 in.	4	058-0011
43	Bolt, 7/16 x 2 in.	4	059-0061
44	Pump assembly	1	See Parts List - Pump Assembly
45	Check Valve, Flared	1	031-0104
46	Connector	1	068-0002
47	Tube, Transfer	1	145-0683
48	Compression Nut & Sleeve, 3/4 in.	1	058-0012
49	Screw, 5/16 in.-18	2	059-0389
50	Tube, Bleeder (also order 058-0017, Qty 2)	1	145-0658
51	Elbow	1	064-0124
52	Tube, Outlet	1	145-0665
53	Elbow	1	064-0121
54	Plug, 1/4 in.	1	062-0035
55	Elbow 90°	1	064-0032
56	Warning Label	1	098-2856
57	Nut, 5/16-18	2	058-0125
58	Washer, 5/16 x 1 in.	2	060-0202
59	Bolt, 5/16 x 1/2 in.	2	059-0012
60	Washer 1 in. to 1/2 in. Conduit	5	060-0201
61	Bushing, Conduit 3/4 in. x 1/2 in.	1	058-0194
62	Locknut, Conduit 3/4 in.	1	058-0194
63	Screw, M5 x 20 mm	7	061-0255
	Vibration Pads (available separately)		094-0137

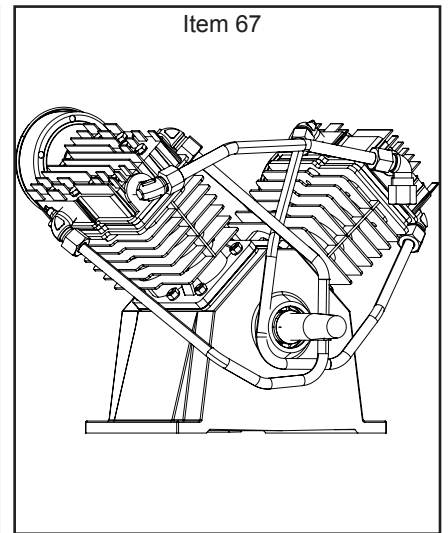
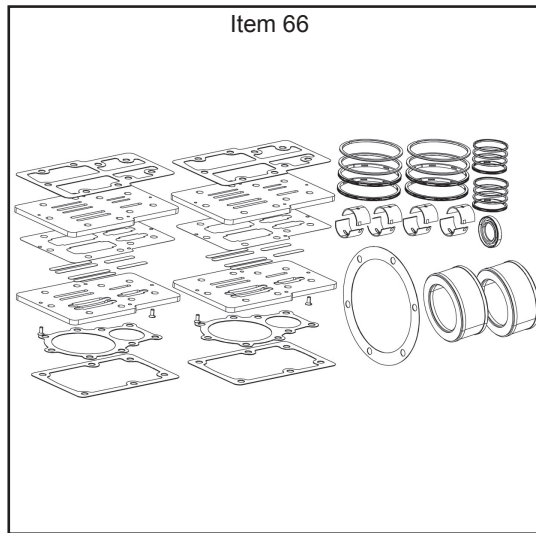
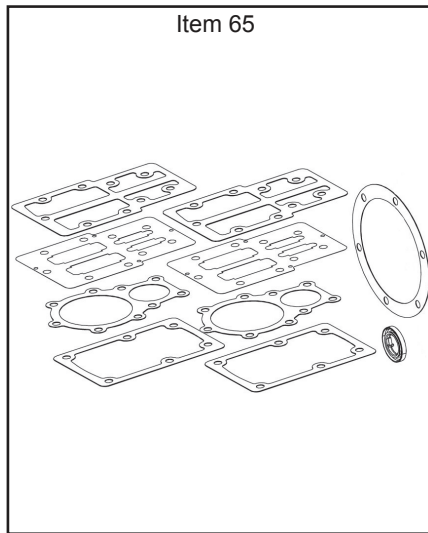


▲ Torque 13 to 16 lb-ft

**PARTS LIST - PUMP ASSEMBLY**

<b>PART #</b>	<b>DESCRIPTION</b>	<b>QTY.</b>	<b>PART IDENTIFIER</b>
1	Filter, Canister Assembly (includes item 2)	2	019-0294
2	Element, Filter Replacement	2	019-0295
3	Bolt, Head, M10 x 90 mm lg	18	059-0405
4	Washer, Lock M10	36	060-0209
5	Head, Cylinder	2	042-0136
6	Gasket, Cylinder Head	2	046-0336
7	Bolt, M5 x 12 mm lg	8	N/A (Order item #62)
8	Seat, Valve (upper)	2	N/A (Order item #62)
9	Gasket, Valve Plate	2	046-0337
10	Reed Valve, LP	8	N/A (Order item #62)
11	Reed Valve, HP	4	N/A (Order item #62)
12	Seat, Valve (lower)	2	N/A (Order item #62)
13	Gasket, Valve Cylinder	2	046-0338
14	Tube, Outlet	2	145-0666
15	Tube, Outlet	1	145-0665
16	Piston, Low Pressure	2	048-0135
17	Pin, Wrist, Low Pressure	2	052-0042
18	Piston, High Pressure	2	048-0136
19	Pin, Wrist, High Pressure	2	052-0043
20	Retaining Ring	8	054-0268
21	Cylinder	2	050-0072
22	Gasket, Cylinder/Crankcase	2	046-0339
23	Nut, M10	12	058-0185
24	Bolt, M10 x 30 mm lg	12	059-0406
25	Connecting Rod Assembly	4	047-0101
26	Connecting Rod	4	N/A (Order item #25)
27	Insert, Bearing	4 pair	051-0111
28	Needle Bearing	4	051-0112
29	Oil Dipper	4	N/A (Order item #25)
30	Washer, Spring	4	N/A (Order item #25)
31	Bolt, M5 x 10 mm lg	4	N/A (Order item #25)
32	Breather Cap	1	059-0097
33	Connector	1	068-0104
34	Breather Tube	1	065-0112
35	Bolt, M10 x 30 mm lg	6	059-0407

<b>PART #</b>	<b>DESCRIPTION</b>	<b>QTY.</b>	<b>PART IDENTIFIER</b>
36	Bearing Carrier, Rear	1	045-0057
37	Gasket, Bearing Carrier	1	046-0340
38	Filter, Oil screen	1	019-0297
39	Oil Level Sight Glass	1	032-0127
40	Nipple, 3/8 x 2 in.	1	065-0101
41	Crankcase	1	049-0057
42	Bearing	1	051-0113
43	Crankshaft	1	053-0117
44 **	Key, Flywheel	1	146-0034
45	Oil Seal	1	046-0343
46 **	Flywheel, 12 in.	1	044-0077
47 **	Washer, Flywheel	1	060-0213
48 **	Washer, Flywheel #12	1	060-0214
49 **	Bolt, M12 x 35 mm lg	1	059-0409
50	Plug	1	062-0074
51	Valve, Pressure Relief	2	136-0105
52	Elbow	2	064-0122
53	Elbow	3	064-0121
54	Elbow, 3	1	064-0124
55	Bearing	1	051-0114
56 **	Washer, Spring #12	1	060-0215
57 **	Fan Blade	1	027-0053
58 **	Washer, Spring #8	6	060-0216
59 **	Washer, #8	6	060-0212
60 **	Bolt, M8 x 30 mm lg	6	059-0411
61	Pipe Cap, 3/8 in.	1	062-0078
62	Valve Plate Assembly (includes 1 each - items 6-13)	2	043-0228
63	Ring Set, LP	2	054-0266
64	Ring Set, HP	2	054-0267
** Must be purchased separately.			



## PARTS LIST - KIT

PART #	DESCRIPTION	INCLUDED PARTS #	KIT #
65	Gaskets, Complete Set	Includes Items 6, 9, 13, 22, 37 & 45	046-0344
66	Overhaul Kit	Includes Items 2, 22, 27, 37 & 62-641	165-0305
67	Pump Assembly	Includes Items 1 to 43, 45, 50 to 55 & 61	S040-0453