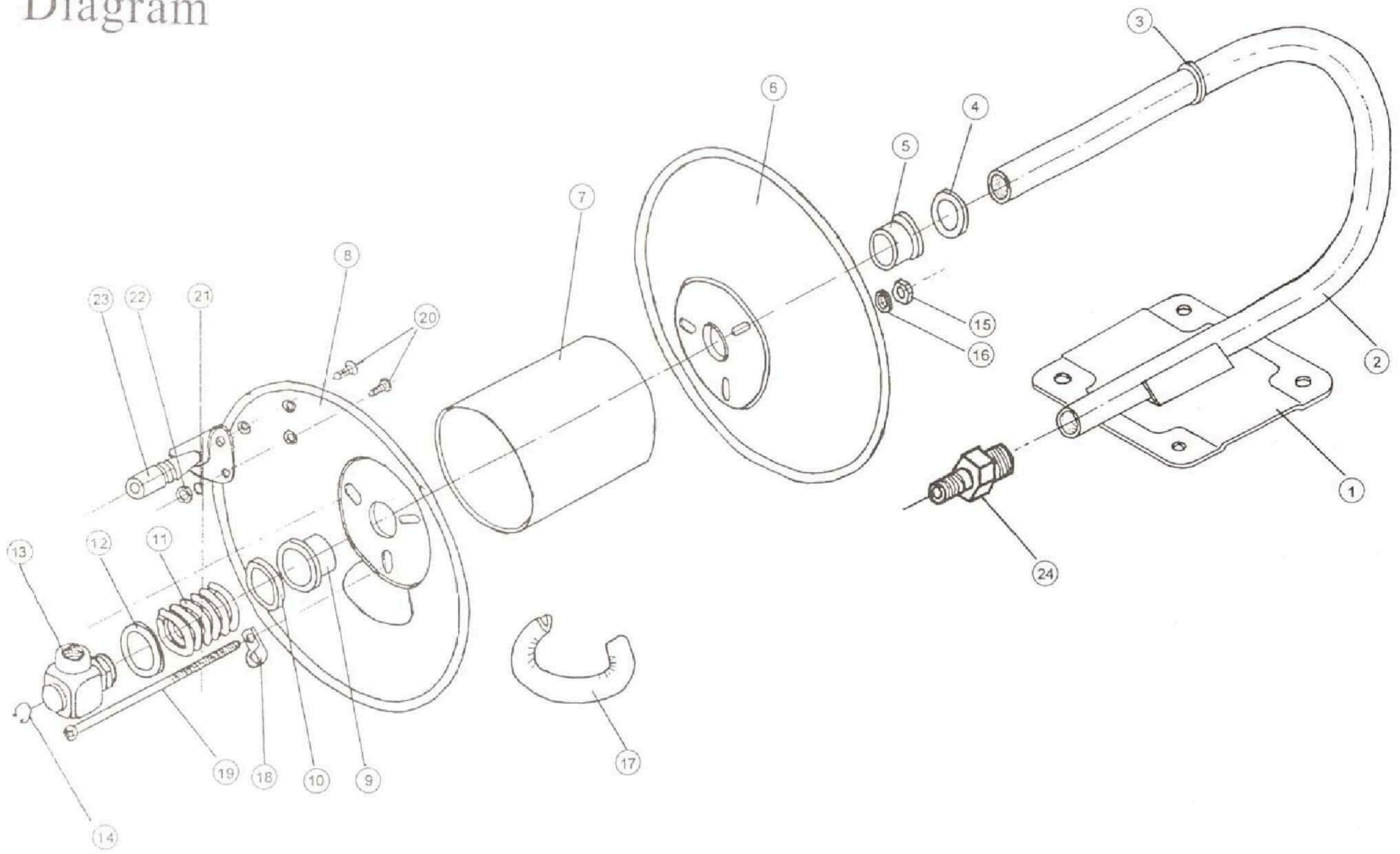


Diagram



Parts List

Part No.	Quantity	Description
1	1	Base (welded with stand)
2	1	Stand (steel pipe covered with foam protector)
3	1	Fixed washer (welded on stand)
4	1	Washer
5	1	Position sleeve
6	1	Flange A
7	1	Sleeve
8	1	Flange B
9	1	Position sleeve
10	1	Washer
11	1	Spring
12	1	Washer
13	1	Swivel (including 2 valve & 2 O-ring)
14	1	Spring washer
15	3	Nut
16	3	Washer
17	1	Protector (rubber)
18	1	Clamp
19	3	Screw
20	3	Screw
21	3	Washer
22	3	Nut
23	1	Handle
24	1	Valve